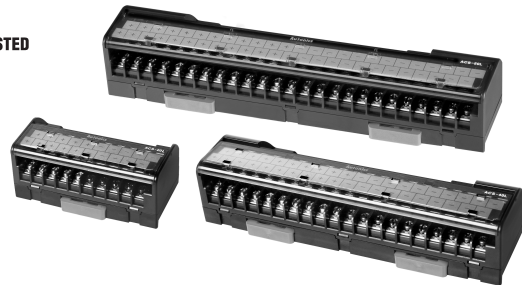


Autonics

COMMON TERMINAL BLOCK ACS Series

INSTRUCTION MANUAL



Thank you for choosing our Autonics product.
Please read the following safety considerations before use.

■ Safety Considerations

※Please observe all safety considerations for safe and proper product operation to avoid hazards.
※Safety considerations are categorized as follows.

- ⚠ **Warning** Failure to follow these instructions may result in serious injury or death.
 - ⚠ **Caution** Failure to follow these instructions may result in personal injury or product damage.
- ※The symbols used on the product and instruction manual represent the following.
⚠ symbol represents caution due to special circumstances in which hazards may occur.

⚠ Warning

1. **Fail-safe device must be installed when using the unit with machinery that may cause serious injury or substantial economic loss.** (e.g. nuclear power control, medical equipment, ships, vehicles, railways, aircraft, combustion apparatus, safety equipment, crime/disaster prevention devices, etc.)
Failure to follow this instruction may result in personal injury, fire, or economic loss.
2. **Do not repair, or inspect the unit while connected to a power source.**
Failure to follow this instruction may result in fire or electric shock.
3. **Do not use the unit where flammable or explosive gas, humidity, direct sunlight, radiant heat, vibration, or impact may be present.**
Failure to follow this instruction may result in fire or explosion.
4. **Do not disassemble or modify the unit. Please contact us if necessary.**
Failure to follow this instruction may result in electric shock, fire, or product damage.

⚠ Caution

1. **Do not use the unit outdoors.**
Failure to follow this instruction may result in shortening the life cycle of the unit, or electric shock.
2. **Use the unit within the rated specifications.**
Failure to follow this instruction may result in shortening the life cycle of the unit, or fire.
3. **Do not use water or oil-based detergent when cleaning the unit. Use dry cloth to clean the unit.**
Failure to follow this instruction may result in electric shock or product damage.
4. **Keep dust and wire residue from flowing into the unit.**
Failure to follow this instruction may result in fire or product damage.

■ Précautions pour la sécurité.

※Après avoir lu ce guide, s'il vous plaît, placez-le dans un lieu où vous pouvez récemment le trouver.
※S'il vous plaît suivre les conseils suivants pour la sécurité.

- ⚠ **Avertissement** L'inaccomplissement des instructions peut provoquer des blessures graves.
 - ⚠ **Précaution** Le produit peut être endommagé ou de provoquer des blessures si les consignes ne sont pas respectées.
- ※La signification des icônes utilisées dans le produit et le manuel sont les suivants:
⚠Précaution: Blessure ou danger peuvent se produire dans des conditions particulières.

⚠ Avertissement

1. **Utilisez le produit seulement après avoir relié un double dispositif de sécurité pour les instruments qui ont un grand effet pour le corps humain et la propriété, comme sont les dispositifs d'énergie atomique, mets en oeuvre Médecine, de véhicules, Rails, aéronefs, Brûleurs ou produits de sécurité.**
L'inaccomplissement peut causer des incendies, lésions personnelles ou dommages à la propriété. L'inaccomplissement peut causer des incendies, lésions personnelles ou dommages à la propriété.
2. **Ne pas réparer ou vérifier le produit tout alimenté.**
L'inaccomplissement peut provoquer un incendie ou des décharges électriques.
3. **Utilisez le produit avec l'environnement comme il est décrit dans le manuel. Évitez le lieu d'émission de gaz corrosifs, gaz inflammables, incorporation température, haute humidité, vibrations, choc, etc.**
L'inaccomplissement peut provoquer un incendie ou une explosion.
4. **Ne pas démonter et modifier cet appareil. S'il vous plaît nous contacter si cela est nécessaire.**
L'inaccomplissement pourrait causer des décharges électriques, incendies, lésions personnelles ou dommages à le produit.

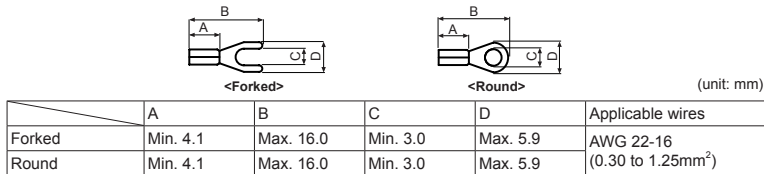
⚠ Précaution

1. **Cette unité ne doit pas être utilisé à l'extérieur.**
Peut raccourcir le cycle de vie du produit ou causer un choc électrique.
2. **S'il vous plaît respecter les spécifications nominales.**
L'inaccomplissement peut raccourcir le cycle de vie du produit et provoquer un incendie.
3. **Dans nettoyer l'appareil, n'utilisez pas d'eau ou de solvants organiques. Et utiliser un chiffon sec.**
L'inaccomplissement peut donner lieu des décharges électriques ou des dommages au produit.
4. **Ne pas laisser de poussière pénétrer l'unité.**
Cela pourrait provoquer un incendie ou un dysfonctionnement.

■ Ordering Information

Model	Item	Terminal type	The number of terminal	Common type
ACS-20L	Common terminal block	Screw	20	Left-Right Common
ACS-20T				Top-Bottom Common
ACS-40L			40	Left-Right Common
ACS-40T				Top-Bottom Common
ACS-50L			50	Left-Right Common
ACS-50T				Top-Bottom Common

■ Applicable Terminal



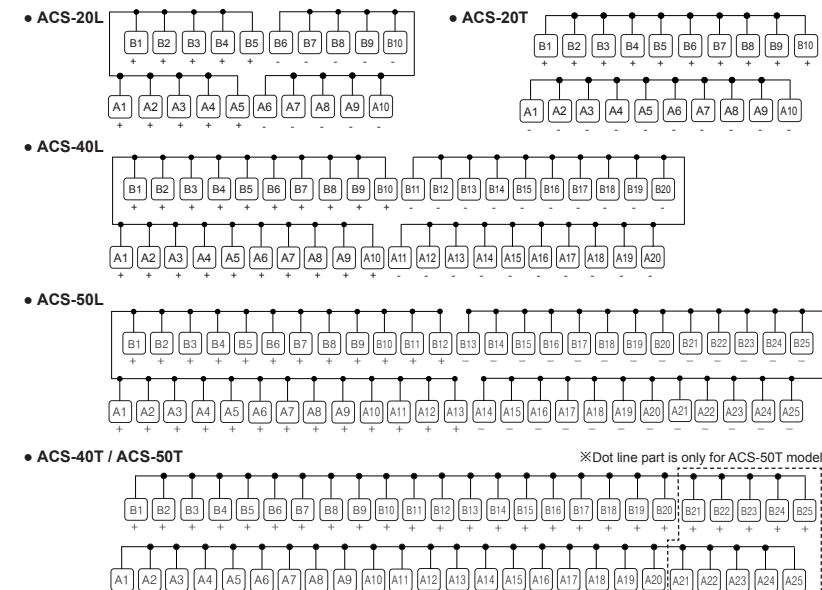
※ Use the UL certified terminal.

■ Specifications

Model	ACS-20L	ACS-20T	ACS-40L	ACS-40T	ACS-50L	ACS-50T
Rated voltage	Max. 125VDC~, 125VAC~ 50/60Hz					
Rated current	Max. 10A					
Common type	Left +COM, Right -COM	Top +COM, Bottom -COM	Left +COM, Right -COM	Top +COM, Bottom -COM	Left +COM, Right -COM	Top +COM, Bottom -COM
The number of terminal	20		40		50	
Terminal pitch	7.0mm					
Applicable wires	AWG22-16 (0.30 to 1.25mm ²)					
Insulation resistance	Over 1,000MΩ (at 500VDC megger)					
Dielectric strength	600VAC 50/60Hz for 1 min					
Vibration	0.75mm amplitude at frequency of 10 to 55Hz (for 1 min) in each X, Y, Z direction for 2 hours					
Shock	150m/s ² (15G) in each X, Y, Z direction for 3 times					
Environ	Ambient temp.	-15 to 55°C, storage: -25 to 65°C				
	-ment Ambient humi.	35 to 85%RH, storage: 35 to 85%RH				
Material	Case: MPPPO, terminal pin: brass					
Tightening torque	0.5 to 0.6 N·m					
Approval	CE, RoHS					
Weight ^{*1}	Approx. 92g (approx. 61g)		Approx. 157g (approx. 115g)		Approx. 189g (approx. 141g)	

※1: The weight includes packaging. The weight in parenthesis is for unit only.
※Environment resistance is rated at no freezing or condensation.

■ Wire Connections

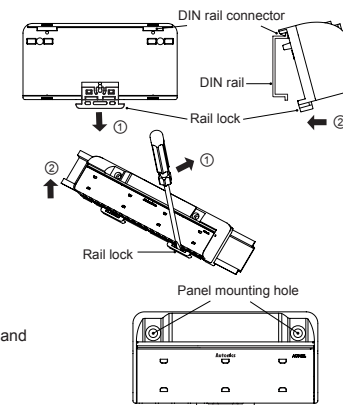


※The above specifications are subject to change and some models may be discontinued without notice.
※Be sure to follow cautions written in the instruction manual and the technical descriptions (catalog, homepage).

■ Installation

1. Mounting to and removing from DIN rail.

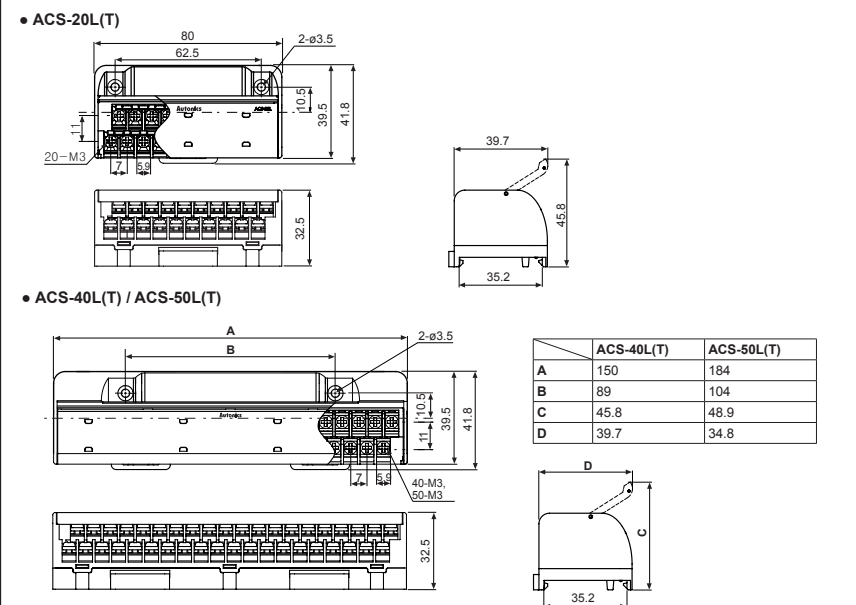
- **Mounting**
 - 1) Push rail lock to the direction "⊙".
 - 2) Hook DIN rail connector onto DIN rail.
 - 3) Push the unit down to the direction "⊗" and then push up the rail lock to the unit body.
- **Removing**
 - 1) Insert a screwdriver into hole of rail lock and pull the lock out to the direction "⊙".
 - 2) Removing the unit by pulling to the direction "⊗".



2. Mounting to panel

- 1) This unit is able to mount on the panel with mounting holes.
- 2) It is recommended to use M3×30mm of spring washer screws and to use flat washers which are diameter φ6.
The tightening torque should be 0.5 to 0.7N·m.

■ Dimensions



■ Cautions during Use

1. This unit shall not be used beyond specified temperature or humidity range.
 2. Maintain voltage fluctuations in the power supply within specified range.
 3. When connecting PLC or other controllers, check the polarity of power and COMMON before wiring.
 4. Use AWG 16(1.25mm²) wire and applicable terminals to the terminal block.
 5. Turn OFF the power supply before wiring.
 6. Do not use this unit at below places.
 - ⊙Place where there is severe vibration or impact
 - ⊙Place where strong alkalis or acids are used
 - ⊙Place where there are direct ray of the sun
 - ⊙Place where strong magnetic field or electric noise are generated
 7. Installation environment.
 - ⊙Indoors
 - ⊙Pollution Degree 2
 - ⊙Altitude max. 2,000m
 - ⊙Installation Category II
- ※Failure to follow these instructions may result in product damage.

■ Major Products

- Photoelectric sensors
- Fiber optic sensors
- Door sensors
- Door side sensors
- Area sensors
- Proximity sensors
- Pressure sensors
- Rotary encoders
- Connector/Sockets
- Switching mode power supplies
- Control switches/Lamps/Buzzers
- I/O Terminal Blocks & Cables
- Stepper motors/drivers/motion controllers
- Graphic/Logic panels
- Field network devices
- Laser marking system(Fiber, CO₂, Nd:YAG)
- Laser welding/soldering system
- Temperature controllers
- Temperature/Humidity transducers
- SSR/Power controllers
- Counters
- Timers
- Panel meters
- Tachometer/Pulse(Rate) meters
- Display units
- Sensor controllers

Autonics Corporation
http://www.autonics.com

■ **HEADQUARTERS:**
18, Bansong-ro 513beon-gil, Haeundae-gu, Busan,
South Korea, 48002
TEL: 82-51-519-3232
■ **E-mail:** sales@autonics.com