

90mm Wall Mounting Type Signal Light



Installation Instruction



1. Safety Precautions

This may occasionally cause electric shock, fire, or malfunction.

Refer to Safety Precautions to ensure the safe use of this product.

1. Install this device away from any source of static electricity.
2. Do not operate this device in locations subject to sudden or extreme changes in temperature, or location where high humidity may result in condensation.
3. Do not operate this device in location subject to vibrations or shock.
4. Do not operate this device in location subject to excessive dust, corrosive gas, or direct sunlight.
5. Do not operate this device at any voltage other than the rated voltage identified on the name plate.
6. For proper operation, wire as shown in Wire Diagram.
7. Do not pull on wires.

2. Order Information

Part Number Configuration:

PWE C F - 3 02 - RYG
 ① ② ③ ④ ⑤

① Body Color	No mark	Ivory
	C	Silver Coating
② Light Style	No mark	Steady
	F	Steady + Flashing
	B	Steady + Buzzer
	Z	Steady + Flashing + Buzzer
③ Number of Stacks	1	1 stack
	2	2 stacks
	3	3 stacks
④ Power Supply	01	12VAC/DC
	02	24VAC/DC
	FF	90~240VAC
⑤ LED Color (top to bottom)	R	Red
	RG	Red, Green
	RYG	Red, Yellow, Green
	RBG	Red, Blue, Green

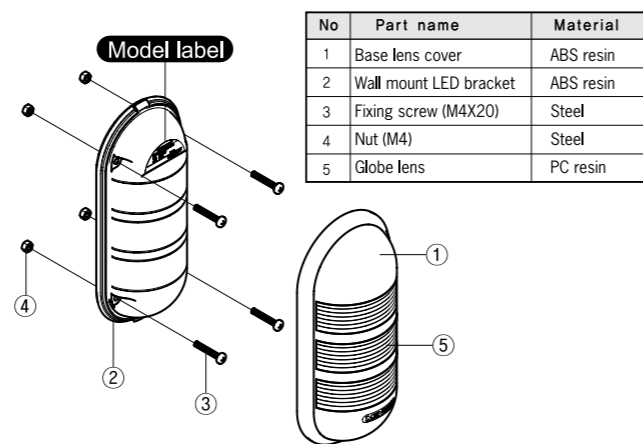
3. Specifications

Function	Steady, Flashing, Buzzer
Power Voltage (AC 50/60Hz)	12VAC/DC, 24VAC/DC, 90~240VAC
Sound	80±5dB (at 1m)
Lens Color	Red, Yellow, Green, Blue
Flashing rate	App. 80±10 times/min
Vibration	0.75mm at 10~55Hz
Ambient Humidity	45 ~ 85%
Operating Temperature	-15° ~ 40°C
Storage Temperature	-20° ~ 70°C
Acquisition certificate	UL, CE, RoHS
Rating	IP65 / IP52(with Buzzer type)
Wire Size	1007 UL / 22AWG
Weight	App. 340g

Current Consumption (RMS value ±10%)

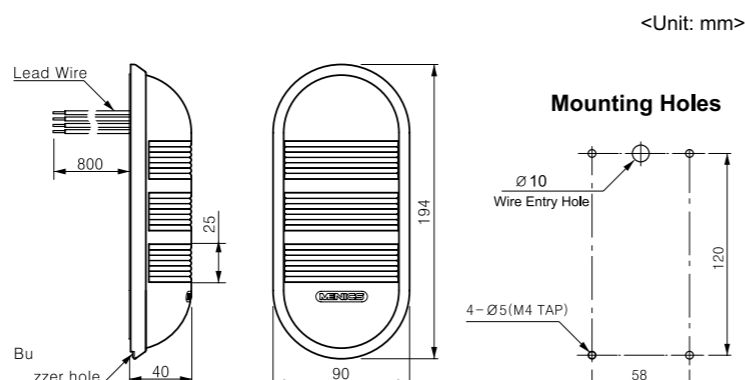
PowerSupply LED Color	12VAC/DC		24VAC/DC		90~240VAC	
	General	Buzzer	General	Buzzer	General	Buzzer
1stack-Red	0.06A	0.25A	0.07A	0.16A	0.02A	0.05A
2stacks-Red+Green	0.12A	0.30A	0.12A	0.20A	0.03A	0.13A
3stacks-R+Y+G	0.17A	0.37A	0.15A	0.27A	0.04A	0.18A

4. Assembly Parts



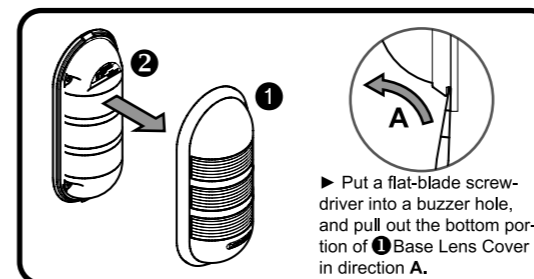
⚠ Never disassemble, repair, or modify this device.

5. Dimensions

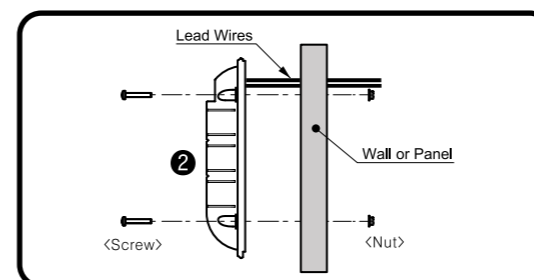


6. Mounting Instruction

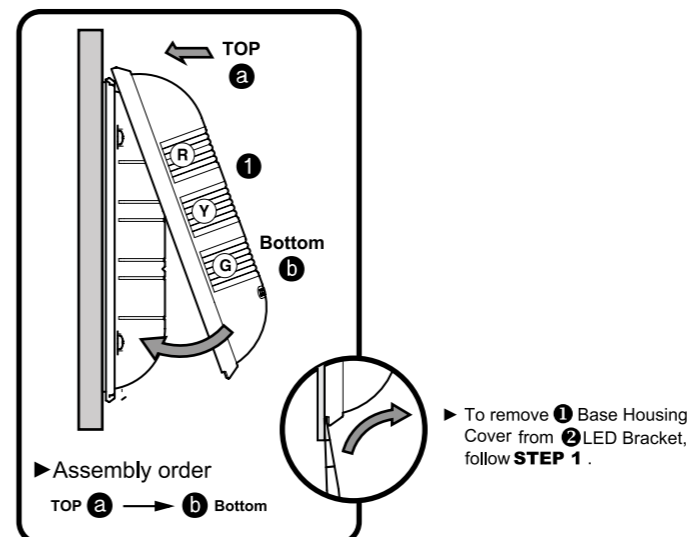
STEP 1: Remove ① Base Lens Cover from ② LED Bracket using a flat-blade screwdriver.



STEP 2: Mount ② LED Bracket on the wall tightly with the screws and nuts. Refer to **Dimensions** for mounting hole positions and wire entry hole size.



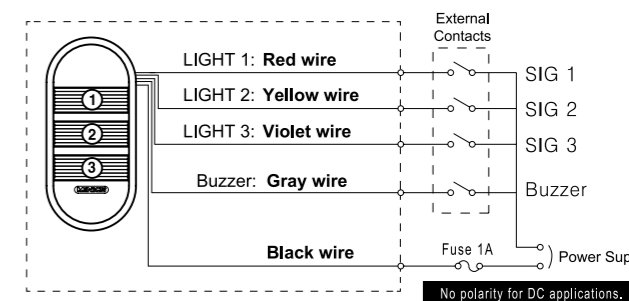
STEP 3: First hook top portion "a" of ① Base Lens Cover to ② LED Bracket, then press the bottom portion "b" toward the wall or panel.



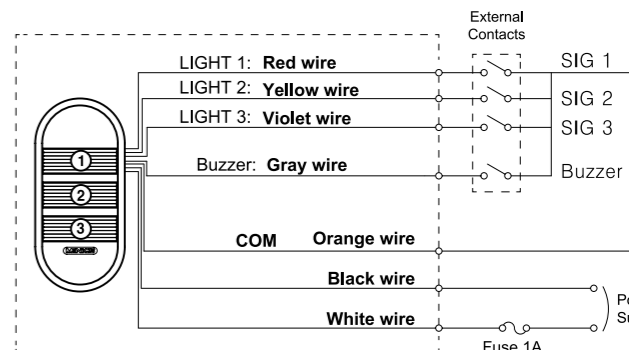
Installation Instruction

7. Wiring Diagram

12VAC/DC , 24VAC/DC
Steady Light (with Buzzer)

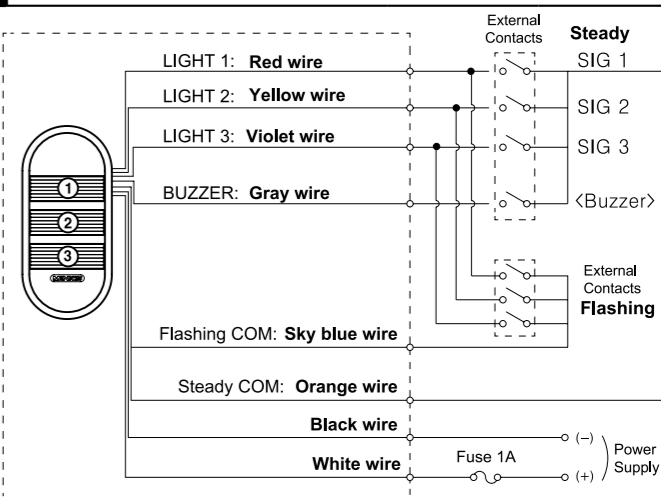


90~240VAC
Steady Light (with Buzzer)



⚠ Do not connect Steady COM (orange) wire. Doing so may result in malfunction or damage in internal circuit.

12VAC/DC , 24VAC/DC
90~240VAC
Steady & Flashing Light (with Buzzer)



⚠ Do not connect Flashing COM (sky blue) wire to Steady COM (orange) wire. Doing so may result in malfunction or damage in internal circuit.