

45mm Bulb Type Tower Light (Only Steady light)

USER MANUAL

Congratulations on your decision to purchase a Menics product. Before operation, read and comprehend its contents for correct and safe use. Do not discard this User Manual. Keep it readily available for reference during use or when performing any service related function.

Safety Caution

- ※ Always observe rules of "Safety Caution" for safe and correct use of Menics products and for prevention of accident or danger.
- ※ "Safety Caution" is divided into two categories, i.e., 'caution' and 'warning', details of which is below.

Warning Possibilities where incorrect use or violation of instructions may result in serious personal injury or even death

Caution Possibilities where incorrect use or violation of instructions may result in minor personal injury

※ Meaning of symbols described on products and Instruction Manual is as follows

Warning is a symbol cautioning that a danger may occur under a particular condition.

Warning

- Always attach a dual safety device on life or property-affecting devices (e.g., atomic control, medical devices, automotive vehicles, railway vehicles, airplanes, combustion devices, amusement devices or safety devices) before use. (Fire, personal injury, serious property loss may occur.)
- Do not disassemble or alter the product. Contact us for service related functions including inner inspection and repair. (Fire, electrocution and product damage may occur.)
- Avoid wiring, inspecting and repairing while power is being supplied. (Electrocution may occur.)
- Always use rated input voltage, and use a standard electric cord for each product. (Fire and electrocution may occur.)
- Always check if an electric connection is proper before applying a power source. (Fire, electrocution and product damage may occur.)
- Avoid using an excessive electricity higher than rated voltage. (Fire and product damage may occur.)
- Avoid using the product outdoors, at explosion-prone places, at places near inflammable substances, water, combustible substances and vibration. (Fire, electrocution and personal injury may occur.)
- Always perform an individual grounding test, and avoid using a grounding cable exceeding AWG No.16. (Electrocution may occur.)

Caution

- Do not place obstacles obstructing ventilation near product. (Product damage or product deformation may occur due to over heating.)
- Avoid touching an electric bulb for (approximately five minutes) after replacement. (Fire and product damage may occur including burning your fingers.)
- In case abnormality happens to the product, unplug the input power connection immediately. (There is the danger of fire or product damage.)
- Avoid using at a place of high vibration level. (Product damage may occur.)
- Avoid using water or detergent when cleaning, and clean with dry cloth. (Electrocution may occur.)

Vibration absorption rubber embedded

1. Ordering information

MT4B 3 A L G - RYG

① ② ③ ④ ⑤ ⑥

1. Model & Light style

4B 45mm type - only Steady light type

2. Number of Stacks

1	1 stack	4	4 stacks
2	2 stacks	5	5 stacks
3	3 stacks		

3. Power supply

A	24VAC/DC
B	110VAC
C	220VAC
D	12VAC/DC

4. Connection

L Lead Wire type

5. Mounting type

G	Plastic mount base
P	Aluminum Pole + Plastic mount base
M	M2screw Aluminum Pole mount

6. Lens color (top to bottom)

R	Red	B	Blue
Y	Yellow	C	Clear
G	Green		

2. Part name

No	Part name	Materials
a	Upper cap	ABC Resin (M4 Screw)
b	Lens	PC Resin
c	Base cover	ABS Resin
d	Bulb base unit	bulb base - Steel Bulb housing - Nylon resin
e	Aluminum pole	Aluminum
f	Mount base	Nylon resin

Bulb Replacement Parts

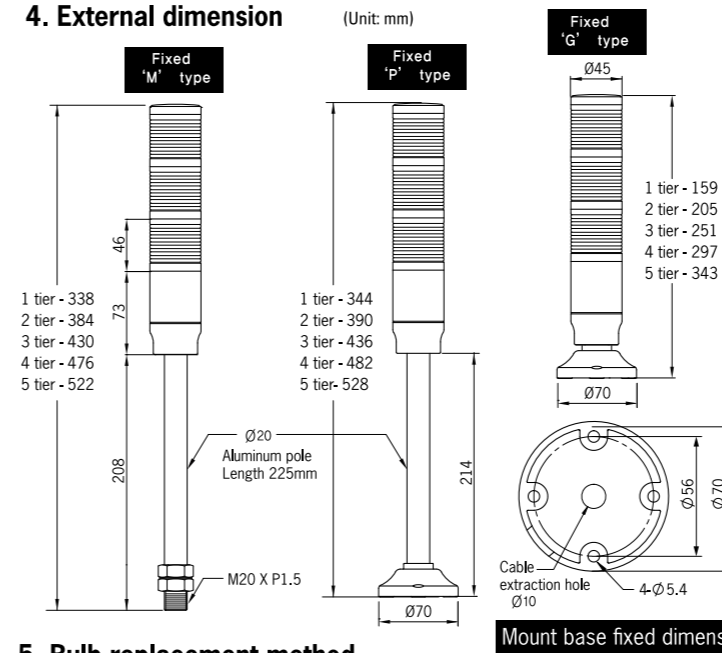
	Energy Used: 5 watts Base Type: Single Contact (BA9S)	Model no.
	Color / Finish: Clear Length: 28mm Width: 10mm	12V type MAB-T09-S-012-05 24V type MAB-T09-S-024-05 110V type MAB-T09-S-130-05 220V type MAB-T09-S-240-05

3. Specification

Dimension	- Product external dimension - 45mm			
Function	Steady light			
Power supply	- 12VAC/DC, 24VAC/DC - 110VAC, 220VAC (AC. 50/60Hz)			
Number of stacks	Up to 5 modules can be stacked			
Lens color	Red, Yellow, Green, bulb, Clear - Materials:PC			
Vibration	0.75mm at 10-55Hz			
Ambient temperature	-15 ~ 40°C			
Storage ambient temperature	-20 ~ 70°C			
Ambient humidity	45 ~ 85% RH			
Bulb specification	BA9S, T10			
Protection structure	IP54			
Approval	CE, UL, RoHS			
Wire size	UL3266/22AWG			
Power Supply	12VAC/DC	24VAC/DC	110VAC	220VAC
Current Consumption (±10%)	1 Stack 0.4A	2 Stack 0.8A	3 Stack 1.2A	4 Stack 1.6A
	5 Stack 2.0A	1.0A	0.20A	0.1A

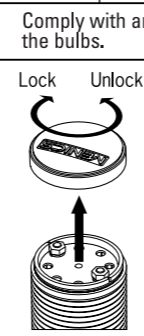
※ Always replace bulbs using bulbs having same specification and supplied by and on our specification, when bulbs inside the product are destructed.
 ※ Bulb life is generally about 1,000-1,500 hours, except that,
 - The life is reduced by 44% if located at a vibrating area. (about 560-840 hours reduced)
 - The life is reduced by 50% if equipped with flashing function.
 - The life is reduced by 30% if voltage is increased by 10, albeit being bright.

4. External dimension



5. Bulb replacement method

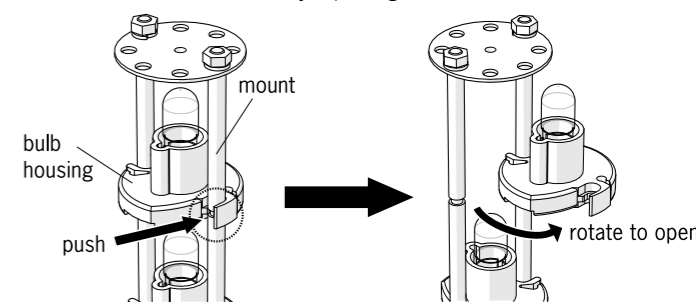
Caution
 - Avoid disassembling and replacing bulbs while a power is being supplied. (Electrocution may occur)
 - Avoid replacing bulbs right after the power supply is interrupted. (Bulb heat may result in personal injuries)
 - Always replace bulbs using bulbs supplied by and on our specification



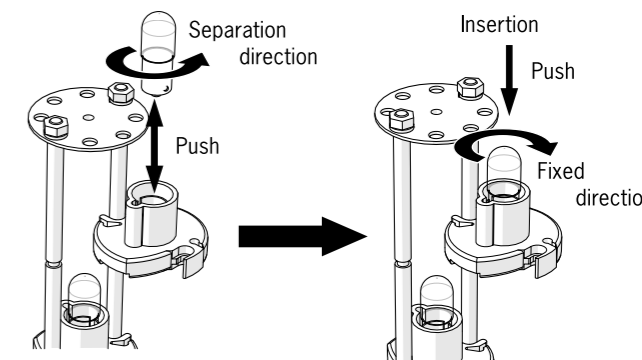
① Separate the bulb by turning the upper Upper cap to the left.

② Remove the lens.

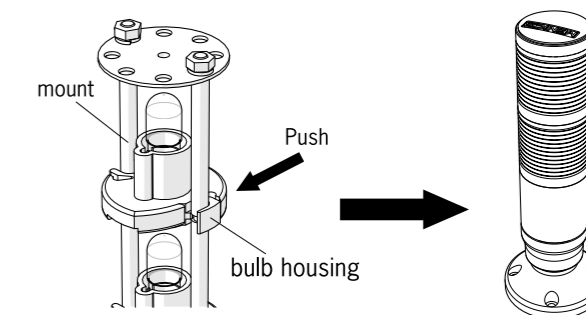
③ Push to open the bulb housing fixed inside the mount groove using hands or tools. This allows easily replacing the bulb.



④ Separate the bulb by pushing the bulb and turning to right, and insert the new bulb by pushing the bulb into the outlet and fix the bulb therein.

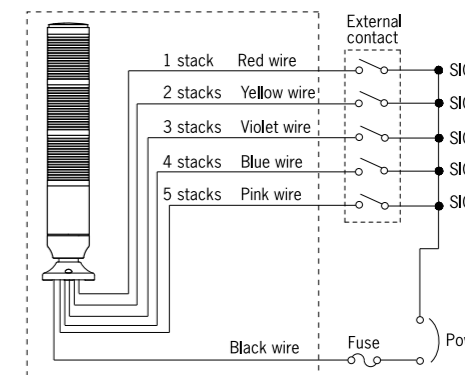


⑤ Push the bulb housing to the mount groove lest the bulb housing be disengaged, after replacement of bulb. Insert the lens, turn the upper fixed cap and re-assemble.



6. Wiring diagram

Caution
 - Always disconnect all power supply before performing the wiring work. (Electrocution may occur and inner circuits may be damaged).
 - Make sure that there is no erroneous wiring works. (Erroneous wiring may damage inner circuits and cause fire).
 - Always connect a fuse to the power supply device side.



※ Exterior look and performances are subject to change without prior notice for improvement of products.