

[www.atten.com](http://www.atten.com)

**ATTEN**

# Product Catalog

## 2024



# ABOUT US

- ✧ Shenzhen ATTEN Technology Co.,Ltd started from 1996 and established in 1999, we are a professional manufacturer of producing soldering equipment over 28 years.
- ✧ As a member of Soldering Station Standard Setting Group and National Technical Committee on Standardization of Household Appliances, ATTEN products have got approvals of"CE", "UKCA", "ROHS", "FCC", "SAA", "REACH"and other qualifications.
- ✧ We are located in ShenZhen with convenient transportation access. ATTEN got the ISO 9001:2015 international quality system authentication and won the National High-tech Enterprise, Shenzhen Well-known Brands and a number of honorary titles.
- ✧ We provide TWO years quality guarantee for main unit, and specialized after-sales service.
- ✧ ATTEN sell our own brand and also welcome OEM orders, whether selecting a current product from our catalog or seeking engineering assistance for your application, you can contact our customer service center for your sourcing requirements.
- ✧ Welcome to be our partner!



## Multifunctional Maintenance System

GT-6150P, GT-6200P, GT-5150P, GT-5200P .....	03-05
GT-1028, GT-8100A .....	06-07
MS-900 .....	08-09
MS-500 .....	12

## Soldering Station

ST-1503D .....	13
ST-9003D, ST-1203D, ST-3003D .....	14
ST-60, ST-80, ST-100 .....	16
ST-909 .....	17
ST-1509 .....	19
ST-2090D .....	21
AT-969, AT-989D .....	22

## Desoldering Station

ST-862D .....	23
ST-8800D .....	24
AT-852D .....	25
ST-8902D .....	26
ST-8802 .....	27
AT-8502D .....	28

## Automatic Equipment

Single Axis Semi-Automatic Soldering Robot ZT-661-200H .....	33
Auto-Feed Soldering Station ZT-660-150G .....	34

## Soldering Iron

GT-2010+ .....	35
ST-2065D, ST-2080D, ST-2150D .....	36

## Other Equipments

Thermal Wire Stripper ST-680D .....	38
Preheater ST-7500, ST-7800 .....	39
Static Eliminator Ion Fan ST-1020D, ST-1020DX, ST-1015, ST-1050W .....	40
Wrist Strap, Wrist Strap On-line Monitor .....	41
Fume Extractor ST-1101, ST-1101D, ST-1202, ST-1202D .....	42
Solder Smoke Absorber, Hot Melting Glue Gun .....	44
Heat Gun ST-2308DX .....	45
Temperature tester ST-1090 .....	46

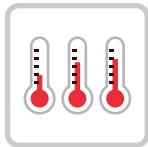
## Tool Accessories

Magnifying Frame, Tweezers .....	47
Soldering Wire .....	48
Soldering Wick .....	51
Desoldering tool & Vacuum Pick-up Tool .....	52
Solder Dross Box, Tin Slag Box & Solder Iron Stand .....	53
Soldering Wire Stand & Solder Pot .....	54
Tip Refresher & Rosin Flux & Paste Flux .....	55

# Multifunctional Maintenance System



Rapid temp recovery



Preset temp



ESD safe



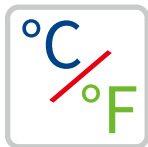
Auto sleep



Password function



Auto standby



°C/°F available



Fault display



Auto-identify



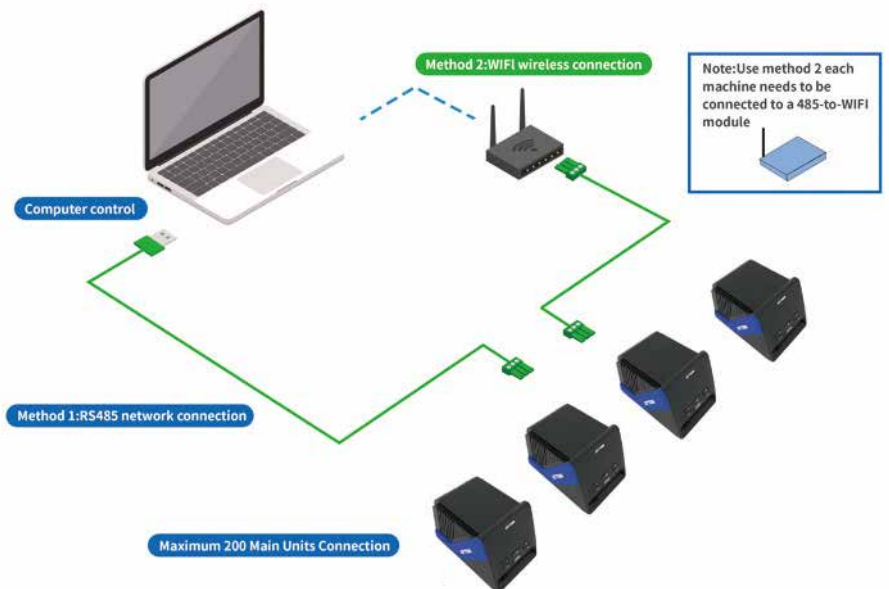
Software control

## IoT Function

Host built-in 485 communication module (Wireless communication module can also be installed), can be docked with intelligent management platform software system, Realization: interconnected real-time monitoring, process preservation and copying, data storage and traceability, statistical analysis and management, monitoring and alarm prompts, remote control.

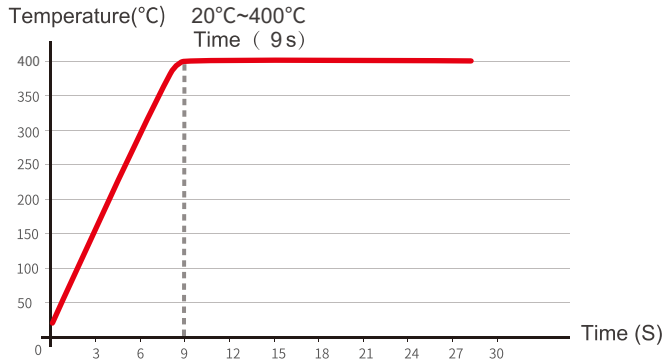


Using ATTEM computer software, it is easier to set parameters and edit curves  
(Download it from [www.attem.com](http://www.attem.com))



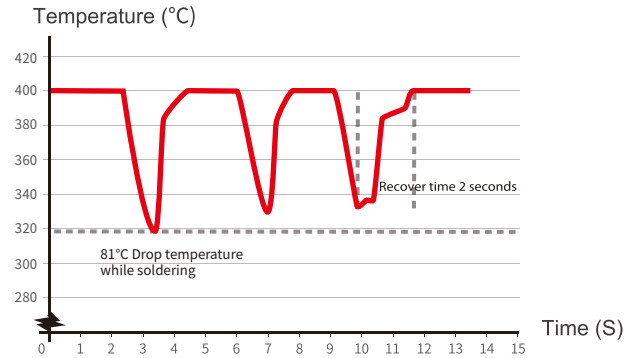
# GT Series Soldering Handles Performance Test

## HEATING UP TIME TEST



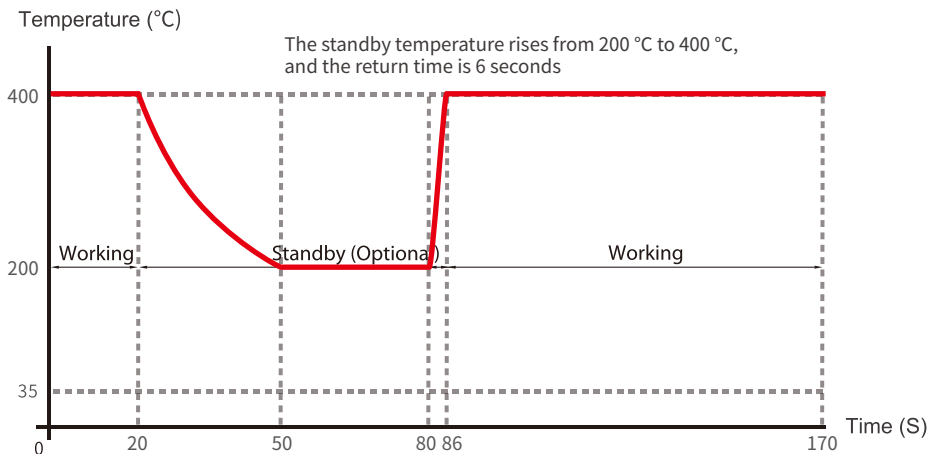
Fast heating up to set temperature, speed up working efficiency.

## DROP TEMPERATURE RECOVER TIME CONTROL CURVE



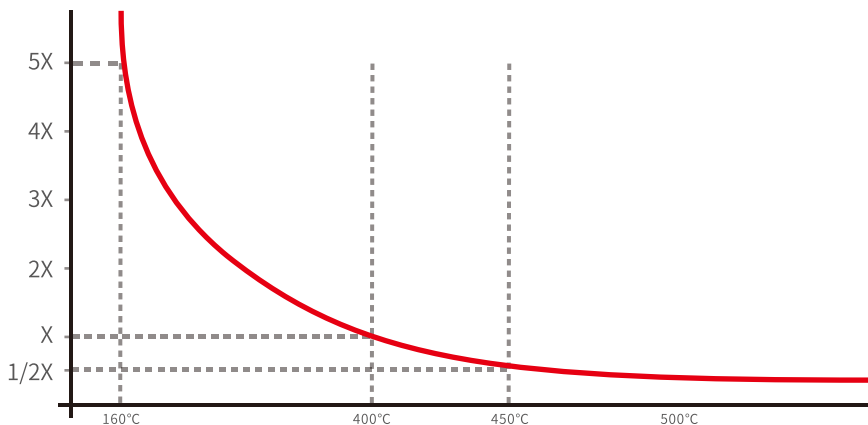
The temperature change curve of 10 continuous welding pads with a diameter of 10mm fiberglass board dropped to a minimum of 319 ° C.

## AUTO STANDBY



- After put handle on holder, standby function can automatically reduce the temperature of nozzle.
- Once reached standby time, the machine will enter auto sleep mode.
- Once power off, the temperature of nozzle will reduce to room temp.
- After power on, the temperature of nozzle quickly heating up to set temperature.

## THE SERVICE LIFE OF SOLDERING TIP CAN BE EXTENDED 5 TIMES AT MOST



Using the soldering tip base on the temperature illustration, the service life of soldering tip can be double extended.

The function of auto sleep, could protect soldering tip to extend 5 times of service life.

# GT-6150P ESD SAFE

Single Channel High-end Intelligent Unleaded Soldering Station



# GT-6200P ESD SAFE

Dual Channels High-end Intelligent Unleaded Soldering Station



## Features:

- Compatible with various types of soldering tools, support replacing handles and tweezers between 50W to 150W.
- Using integrated soldering tips, rapid heating.
- Pluggable heater design, easy to replace.
- Silicone buttons operate comfortable.
- Auto standby and sleep function, conserves energy and protect equipment.
- Password-protected function to preserve settings.
- Built-in RS485 communication interface, support computer control.

Can be used in conjunction with T150-1815SP small tin furnaces



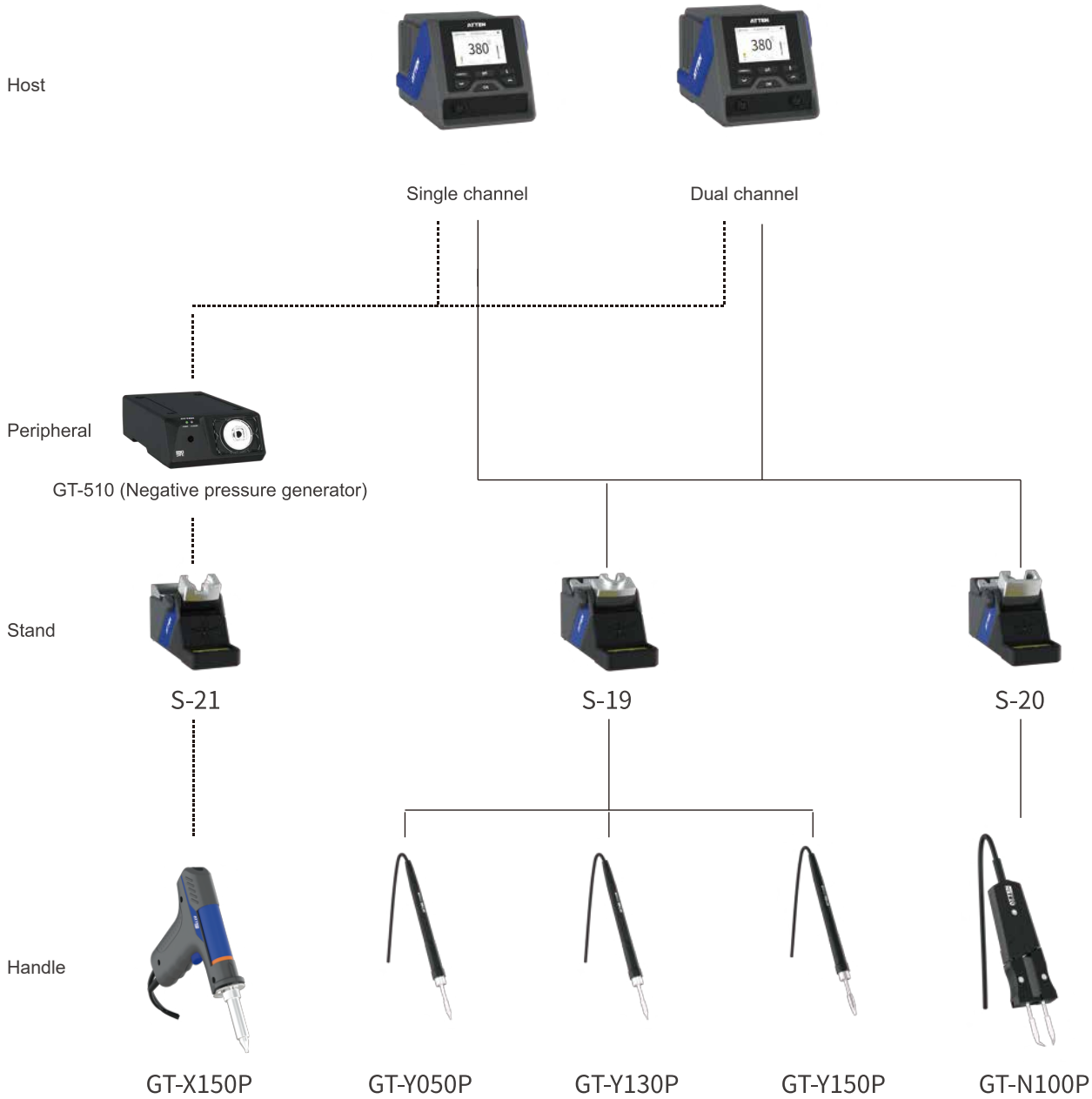
T150-1815SP

Product application:  
Molten tin  
Tin on the wire head  
Tin disassembly on circuit board  
Solder tin plating







## Specification:

Model	GT-6150P	GT-6200P
Voltage	AC 230V±10% 50Hz (110V±10% 60Hz)	
Tool channel	Single channel	Dual channel
Power	150W	200W
Temperature range	80~500°C	
Temperature compensation	±50°C	
IoT Function	Support (RS485 interface)	



**GT-510 (Negative pressure generator)**

Model	GT-510
Power	60W
External communication interface	RJ12
Vacuum degree	-80KPa
Air flow	36L/min (MAX)
Tin blockage alarm function	support
Filter paper replacement	support
Dimensions	140(L)x255(W)x70(H)mm
Weight	≈1.4kg

Model	GT-5150P	GT-5200P	GT-6150P	GT-6200P
Pictures				
Handle	GT-X150P	GT-X150P, GT-Y130P	GT-Y130P	GT-N100P, GT-Y130P
Solder tip model (standard)		T130 series (T130-1.0I)	T130 series (T130-1.0I)	T130 series (T130-1.0I) T100 series (T100-0.5I)
Tin suction nozzle model (standard)	T151-0.8, T151-1.0 T151-1.3, T151-1.6	T151-0.8, T151-1.0 T151-1.3, T151-1.6		
Package list	<p>Single channel host: 1 unit GT-510 (negative pressure generator): 1 unit S-21 soldering iron holder: 1 PC GT-X150P solder gun: 1 PCS Tin suction nozzle: 3 PCS Instructions: 1 PC Power cord: 1 PC Grounding wire: 1 PC Needle set box: 1 PC Certificate of conformity: 1 copy Needle: 1 PC Straight shank Fried Dough Twists drill: 1PC O-shaped sealing ring: 2 PCS Vacuum sponge: 10 PCS Negative pressure generator filter paper: 10 PCS Tin suction tube inner liner Spring: 3 PCS Front plug of tin suction tube: 2 PCS Solder baffle: 1 PC Anti scald pad: 1 PC Open end wrench: 1 PC</p>	<p>Dual channel host: 1 unit GT-510 (negative pressure generator): 1 unit S-21 soldering iron holder: 1 PC GT-X150P solder gun: 1 PC S-19 soldering iron holder: 1 PC GT-Y130P handle: 1 PC Tin suction nozzle: 3 PCS Instructions: 1 PC Power cord: 1 PC Grounding wire: 1 PC Needle set box: 1 PC Solder iron holder connection wire: 1 PC Joint aid first batch certificate: 1 copy Needle: 1 PC Straight shank Fried Dough Twists drill: 1 PC O-shaped sealing ring: 2 PCS Vacuum sponge: 10 PCS Negative pressure generator filter paper: 10 PCS Tin suction tube inner liner spring: 3 PCS Front plug of tin suction tube: 2 PCS Solder baffle: 1 PC Anti scald pad: 1 PC Open end wrench: 1 PC</p>	<p>Single channel host: 1 unit S-19 soldering iron holder: 1 PC GT-Y130P handle: 1 PC Instructions: 1 PC Power cord: 1 PC Grounding wire: 1 PC Certificate of conformity: 1 copy Solder iron holder connection wire: 1 PC</p>	<p>Dual channel host: 1 unit S-20 soldering iron holder: 1 PC GT-N100P forceps handle: 1 PC S-19 soldering iron holder: 1 PC GT-Y130P handle: 1 PC Instructions: 1 PC Power cord: 1 PC Grounding wire: 1 PC Solder iron holder connection wire: 2 PCS Certificate of conformity: 1 copy</p>
Standard packing	<p>Inner box: 445x405x235(mm) G.W.: 6.16KG Carton: 2PCS/Carton Size: 465x425x500(mm) G.W.: 15KG</p>	<p>Inner box: 445x405x235(mm) G.W.: 8.43KG Carton: 2PCS/Carton Size: 465x425x500(mm) G.W.: 18KG</p>	<p>Inner box: 375x345x225(mm) G.W.: 4.9KG Carton: 2PCS/Carton Size: 390x360x475(mm) G.W.: 11KG</p>	<p>Inner box: 458x370x225(mm) G.W.: 5.5KG Carton: 2PCS/Carton Size: 475x385x475(mm) G.W.: 12KG</p>



Note: Desoldering Nozzles details in page 11. Note: GT series optional handles details in page 10.

Note: Integrated heater details in page 11. (T50/T00/T130/T150)



# GT-1028

ESD  
SAFE

Intelligent Industrial IoT Hot Air Rework Station



## Features:

- Big TFT color screen, more convenient to set and monitor parameters.
- 1300W pluggable ceramic heater, heating fast.
- Equipped with a vacuum suction pen, components can be extracted after desoldering.
- Built-in brushless fan, long use life and low noise.
- PID algorithm temperature control, accurate and stable temperature.
- Infrared temperature calibration function.
- Temperature curve setting function.
- 3 sets shortcut air volume/temperature to simplify operations.
- Support control the switch on and off of the smoke purifier.
- Can be controlled by external pedal.
- With RS485 communication interface, support IoT function.



# GT-8100A

ESD  
SAFE

Intelligent Industrial IoT Hot Air Rework Station



## Features:

- Big TFT color screen, more convenient to set and monitor parameters.
- 1300W pluggable ceramic heater, heating fast.
- Built-in brushless fan, long service life and low noise.
- PID algorithm temperature control, accurate and stable temperature.
- Infrared temperature calibration function.
- Temperature curve setting function.
- 3 sets shortcut air volume/temperature to simplify operations.
- Support control the switch on and off of the smoke purifier.
- Can be controlled by external pedal.
- With RS485 communication interface, support IoT function.



## Specification:

Model	GT-1028	GT-8100A
Voltage	AC(100V/110V/120V/220V/230V/240V) 50/60Hz (Optional)	
Power	1330W	1300W
Temperature range	100°C~500°C / 212°F~932°F	
Air flow	120L/min(Max)	
Vacuum Pen	Yes	No
Computer control	Yes	
Inner box	375x333x190(mm)	374x273x185(mm)
N.W.	5.48kg	4.5kg
G.W.	5.98kg	4.35kg
Package list	GT-1028 host x 1 Power cord x 1 Hot air gun handle x 1 Hot air gun nozzle x 3 Hot air gun holder x 1 USB cable(A to B) x 1 Vacuum pen(included tool box) x 1 User manual x 1 Bent suction nozzle x 2 Straight suction nozzle x 2 Suction disc x 12 Certificate x 1	GT-8100A host x 1 Power cord x 1 Hot air gun handle x 1 Hot air gun nozzle x 2 Hot air gun holder x 1 USB cable(A to B) x 1 User manual x 1 Certificate x 1
Applications	<ul style="list-style-type: none"> <li>Institutes/Enterprises</li> <li>Education and practice</li> </ul>	<ul style="list-style-type: none"> <li>Maintenance</li> <li>Hobby soldering</li> </ul>

### Control fume extractor function



GT-1028/GT-8100A can control the switch on and off of the fume extractor.

### Pedal mode



When using an external pedal, only the pedal can control the heat gun to work.

Nozzles details in page 37.

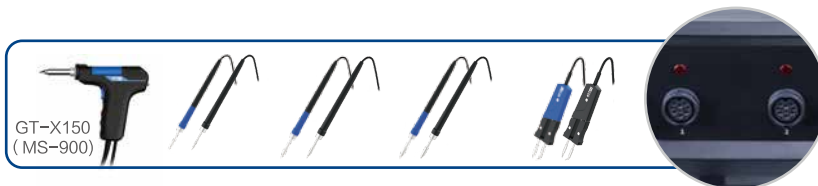
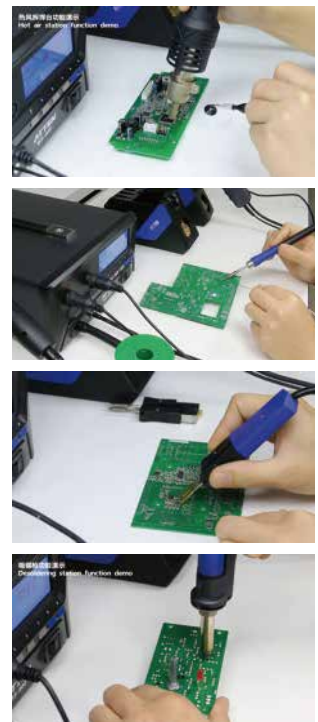
# MS-900

## 4 In 1 Intelligent Rework Station



### Features:

- 4 in 1 intelligent rework station with LCD display.
- High accuracy MCU control is employed to synchronously detect 3 tool channels that can be used independently and synchronously without mutual interference.
- Built-in vacuum generator.
- Max power is 900W.
- Support doing multiple desoldering tasks simultaneously.
- Automatically identify all kinds of soldering tools and load corresponding parameters.
- Adjust the temperature by software automatically, more accurate and convenient.
- Fault display and alarm function.
- Equipped with a vacuum suction pen, components can be extracted after desoldering.
- Auto standby and sleep function, conserves energy and protect equipment.
- Password-protected function to preserve settings.
- Built-in RS-232 communication interface, support computer control.



Automatic identification

## Specification:

Model	MS-900			
Voltage	AC(100V/110V/120V/220V/230V/240V) 50/60Hz (Optional)			
Total Power	900W			
Main unit	Hot Air Station	Soldering Station	Desoldering Station	Electronic Tweezer
Power	Heater 550W Air pump 25W	130W	Heater 150W, Vacuum pump 15W	100W
Handle	AP-552B	GT-Y130	GT-X150(MS-900),GT-B001	GT-N100
Temperature range	150°C~500°C 302°F~932°F	150°C~500°C 302°F~932°F	300°C~500°C 572°F~932°F	150°C~500°C 302°F~932°F
Standby	Room temperature	200°C	300°C	200°C
Standby time	The handle automatically sleeps when placed on the bracket (Sleep time cannot be set)	1~120 minutes (0 i.e. standby deactivated)	1~120 minutes (0 i.e. standby deactivated)	1~120 minutes (0 i.e. standby deactivated)
Air flow grades	23L/min			
Noise	<52dB(A)			
Temperature stability	±5°C	±2°C	±2°C	±2°C
Temperature compensation	- 50~+50°C			
Lock setting	Available			
Tip to ground impedance	<2Ω			
Tip to ground voltage	<2mV			
Overall dimension	310(L)x251(W)x119(H)mm			
Weight	N.W.: 14KG      G.W.: 16KG			
Package:	Main unit: 1 set Air hot gun: 1 pc Soldering iron stand: 1 pcs Desoldering station handle: 1 pc Electric tweezer handle: 1 pc Desoldering gun: 1pc Desoldering pen: 1pc Power cord: 1 pc	Blow-dryer bracket: 1 pc Screw: 2 pcs Suction disk: 11 pcs Spring: 3 pcs Suction nozzle: 3 pcs Rubber washer: 2 pcs Desoldering nozzle: 3 pcs Nozzle: 4 pcs	Desoldering gun front plug: 2 pcs Desoldering gun O-ring 6x1.5: 2 pcs Desoldering gun O-ring: 2 pcs Desoldering tube liner: 1 pc Filter cotton: 10 pcs Dust-absorbing sponge: 10 pcs Spring pin(cleaning pin): 1 pc Anti-ironing mat: 1 pc	User Manual: 1 Certificate x 1
Applications	<ul style="list-style-type: none"> <li>● Institutes/Enterprises</li> <li>● Education and practice</li> </ul>		<ul style="list-style-type: none"> <li>● Maintenance</li> <li>● Hobby soldering</li> </ul>	

# GT Series

ESD  
SAFE



GT-Y050P

### 50W Mini Soldering iron

50W mini soldering iron, suitable for small welding components

ESD  
SAFE



GT-Y130P

### 130W Soldering iron

130W middle size soldering iron, suitable for most welding components

ESD  
SAFE



GT-Y150P

### 150W High- power Soldering iron

150W high- power soldering iron with sufficient heat energy, suitable for welding large bonding pad and weldments

ESD  
SAFE



GT-N100P

### 100W Tweezers handle

With soldering and desoldering function, suitable for soldering and desoldering various SMD devices

ESD  
SAFE



GT-X150P

### 150W Desoldering gun

High power, heating up quickly, minimize damage to PCB boards. New design with replaceable nozzle, heat conducting quickly, high efficiency and low cost

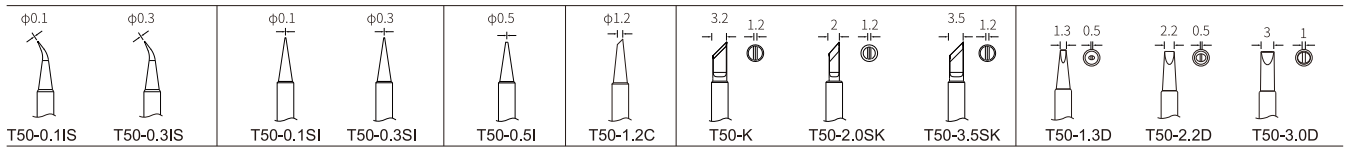



GT-B001

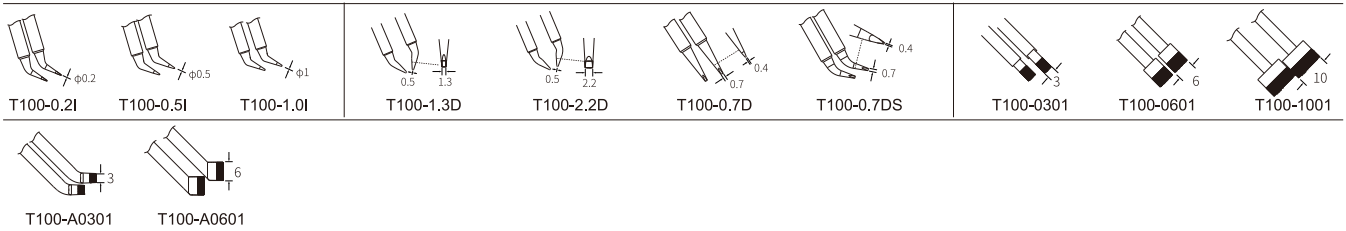
### Anti-static Vacuum Pen


It is suitable for current sensitive components, can disassemble/paste IC/lamp beads/resistors/chips and other materials.

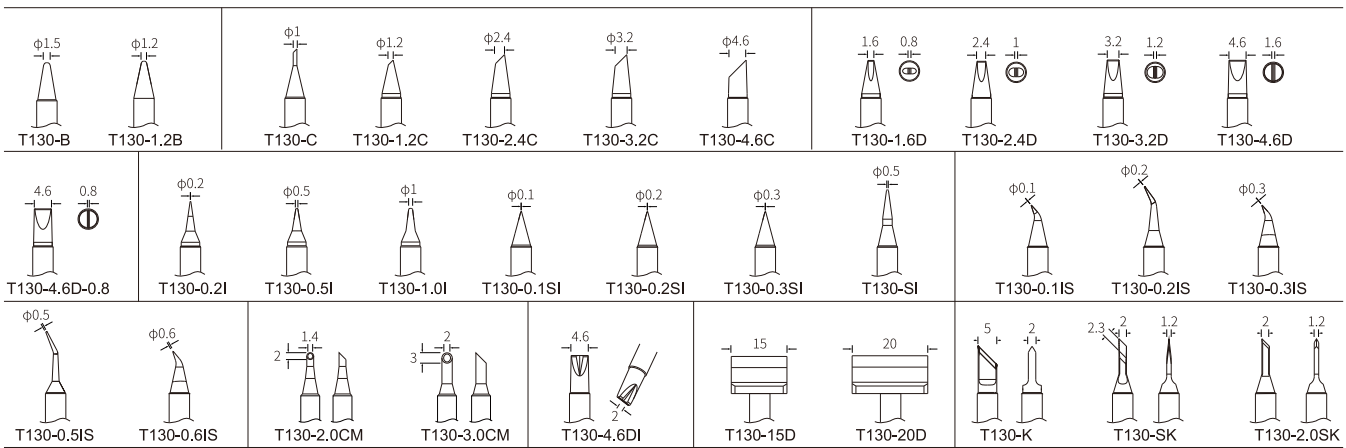
**T50**  (Applicable models: GT-6150P / GT-6200P / GT-5150P / GT-5200P / MS-900)

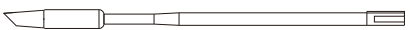


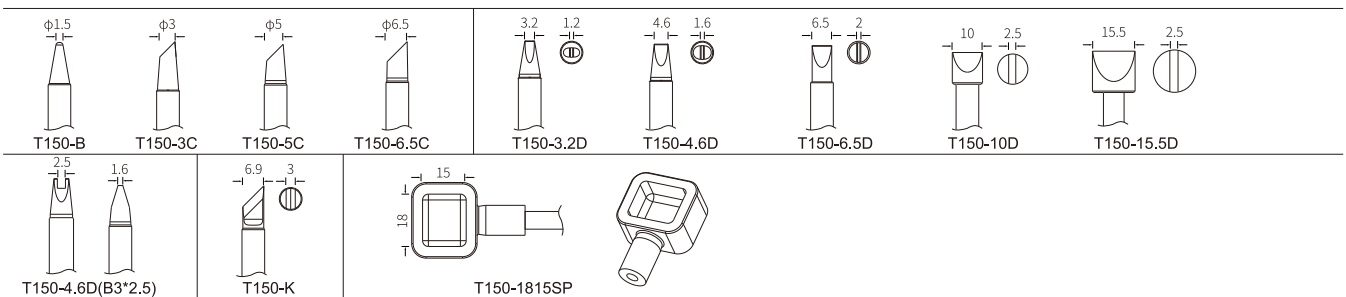
**T100**  (Applicable models: GT-6150P / GT-6200P / GT-5150P / GT-5200P / MS-900)



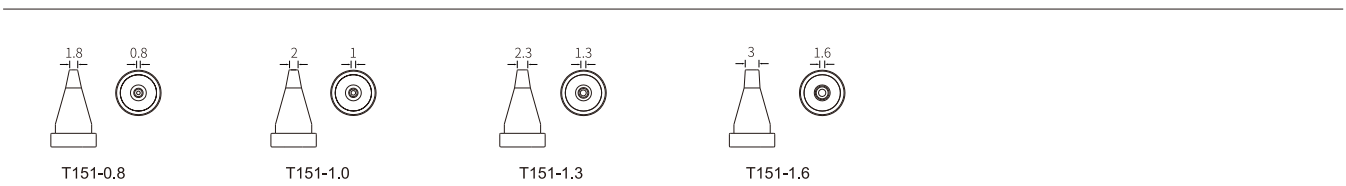
**T130**  (Applicable models: GT-6150P / GT-6200P / GT-5150P / GT-5200P / MS-900)



**T150**  (Applicable models: GT-6150P / GT-6200P / GT-5150P / GT-5200P / MS-900)



**T151 (Desoldering Nozzles)**  (Applicable models: GT-5150P / GT-5200P / MS-900)






# MS-500

## 3 In 1 Rework Station



### Specification:

Product pictures			
Model	ST-862D	ST-1509-50	APS22-5A
Power	1000W	150W	125W
Temperature range	100°C~480°C / 212°F~896°F	80°C~480°C / 176°F~932°F	Ripple and noise CV≅0.5mVrms
Air flow	130L/min(Max), 20L/min(Min)		Protection function OCP(support automatically recovery)/OHP
Heater	Pluggable HR-2102A	Integrated	USB interface Fixed 5V output(±5%), maximum 2.1A output(overcurrent protection, stop outputting)
Soldering tip type	Nozzles:4 PCS	T950-0.1IS	Heat-dissipating method Smart fan control
Working condition	Temp:0°C~40°C Humidity:<80%	Temp:0°C~40°C Humidity:<80%	Working condition Temp:0~40°C Humidity:<80%
Storage condition	Temp:-20°C~80°C Humidity:<80%	Temp:-20°C~80°C Humidity:<80%	Storage condition Temp:-20~70°C Humidity:<80%
Storage condition	Inner box: 535x455x240(mm) Carton:1PCS/Carton Size: 555x475x265(mm) G.W.: 16.16kg		

Note: T950 series soldering tip details in page 20. Nozzles details in page 30.

# ST Series Soldering Station

## ST-1503D

Heavy Duty Soldering Station



### Features:

- 150W high frequency soldering station with LCD display.
- Max temperature is 600°C.
- Pluggable heater design, easy to replace.
- 3 sets shortcut temperature to simplify operations.
- Support IR temperature calibration function.
- Support °C and °F .
- ST-1503D with RS485 communication interface, support IoT function.



Heater HS-3150H

### Specification:

Model	ST-1503D
Voltage	AC(100V/110V/120V/220V/230V/240) 50/60Hz
Power	150W
Temperature range	80°C~600°C / 176°F~1112°F
Soldering tip	T500-4C
The handle type	SP-H150
Heater	HS-3150H
IoT Function	Yes
Standard Packing	Inner box: 290x260x185(mm) N.W.: 5kg G.W.: 5.5kg Carton:4PCS/Carton Size: 535x305x395(mm) N.W.: 22kg G.W.: 23kg

Note: T500 series soldering tip details in page 15.



# ST-9003D/ST-1203D/ST-3003D

## Heavy Duty Soldering Station



### Features:

- High frequency soldering station with LCD display.
- Pluggable heater design, easy to replace.
- 3 sets shortcut temperature to simplify operations.
- Support IR temperature calibration function.
- Support °C and °F.
- Support control the smoke purifier on/off.
- With RS485 communication interface, support IoT function.


























Heater HS-3090H Heater HS-3120H Heater HS-33000H

### Specification:



















Model	ST-9003D	ST-1203D	ST-3003D
Voltage	AC(100V/110V/120V/220V/230V/240) 50/60Hz		
Power	110W (±10%)	150W (±10%)	320W (±10%)
Handle Power	≥90W	≥120W	≥300W
Temperature range	80°C~500°C / 176°F~932°F		80°C~600°C / 176°F~1112°F
Soldering tip	T300-B	T120-B	T330-10D
The handle type	SP-H090	SP-H120	SP-H300
Heater	HS-3090H	HS-3120H	HS-3300H
IOT Function	Yes		
Standard Packing	Inner box: 290x260x185(mm) G.W.: 4.16kg Carton:4PCS/Carton Size: 535x305x395(mm) G.W.: 17.5kg	Inner box: 290x260x185(mm) G.W.: 4.46kg Carton:4PCS/Carton Size: 535x305x395(mm) G.W.: 19kg	Inner box: 306x276x200(mm) G.W.:3.28kg Carton:4PCS/Carton Size: 570x320x425(mm) G.W.: 14kg

Note: T300 series soldering tip details in page 15. T120 series soldering tip details in page 15. T330 series soldering tip details in page 15.














**T300**  (Applicable models: ST-9003D)

 T300-B	 T300-2B	 T300-LB	 T300-I	 T300-SI	 T300-LI	 T300-H	 T300-J	 T300-IS	 T300-0.5IS	 T300-K	 T300-SK
 T300-0.8D	 T300-1.2D	 T300-1.6D	 T300-2.4D	 T300-3.2D	 T300-4.2D	 T300-0.8C	 T300-1C	 T300-2C	 T300-3C	 T300-4C	














**T120**  (Applicable models: ST-1203D)

 T120-B	 T120-LB	 T120-2B	 T120-I	 T120-1C	 T120-2C	 T120-3C	 T120-4C	 T120-5C	 T120-0.8D	 T120-1.2D	 T120-1.6D	 T120-2.4D
 T120-3.2D	 T120-4.2D	 T120-K	 T120-LK	 T120-SK								

**T330**  (Applicable models: ST-3003D)

 T330-B	 T330-4C	 T330-6C	 T330-8C	 T330-10C	 T330-5D	 T330-6D	 T330-8D	 T330-10D	 T330-16D
 T330-6DU	 T330-10DU	 T330-K							

**T500**  (Applicable models: ST-1503D)

 T500-B	 T500-3C	 T500-4C	 T500-5C	 T500-6C	 T500-8C	 T500-3.5D	 T500-5D	 T500-8D
 T500-SK	 T500-K	 T500-2.0SK	 T500-2.5SK					

# ST-60/ST-80/ST-100

## Digital Soldering Station



### Features:

- 60W, 80W, 100W, soldering station with LCD display.
- ST-60 and ST-80 use ceramic heater.
- ST-100 use silver alloy heater, fast thermal conductivity.
- 3 sets shortcut temperature to simplify operations.
- Support temp lock, temp calibration function.
- Support °C and °F .
- Smart standby and shutdown function, conserves energy and protect equipment.

### Specification:

Model	ST-60	ST-80	ST-100
Voltage	AC(100V/110V/120V/220V/230V/240) 50/60Hz		
Power	60W	80W	100W
Temperature range	150°C~450°C / 302°F~842°F	150°C~480°C / 302°F~896°F	150°C~480°C / 302°F~896°F
Temperature Stability	±2°C (in still air, no load)	±2°C (in still air, no load)	±2°C (in still air, no load)
The handle type	SP-60	SP-80	SP-100
Soldering tip type	T900-B	T900-B	T800-0,25I
Heater	60W dual-core ceramic heater HS-3060A	80W four-core ceramic heater HS-3080	100W Silver alloy heater HS-3100
Package list	Main unit: 1unit    Handle: 1 PCS    Iron stand: 1 PCS    Manual: 1 PCS    AC cord: 1 PCS		
Standard Packing	Inner box: 315x270x152(mm) N.W.: 1.86kg G.W.: 2.2kg Carton: 6PCS/Carton Size: 555x330x480(mm) N.W.: 13.2kg G.W.: 14.3kg	Inner box: 315x270x152(mm) N.W.: 2.3kg G.W.: 2.64kg Carton: 6PCS/Carton Size: 555x330x480(mm) N.W.: 15.84kg G.W.: 16.94kg	Inner box: 315x270x152(mm) N.W.: 2.57kg G.W.: 2.91kg Carton: 6PCS/Carton Size: 555x330x480(mm) N.W.: 17.46kg G.W.: 18.56kg

Note: T800 series soldering tip details in page 18. T900 series soldering tip details in page 29.

# ST-909

## Digital Soldering Station



### Features:

- 90W soldering station with LCD display.
- Using integrated soldering tips, rapid heating.
- Pluggable heater design, easy to replace.
- 3 sets shortcut temperature to simplify operations.
- Support temp lock, temp calibration.
- Support °C and °F.
- Auto standby function, conserves energy and protect equipment.











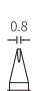
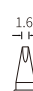
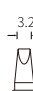
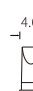

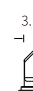


Integrated T990-K

### Specification:




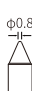











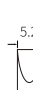



Model	ST-909
Voltage	AC(100V/110V/120V/220V/230V/240) 50/60Hz
Power	90W
Temperature range	200°C~500°C / 392°F~932 °F
Temperature Stability	±2°C (in still air, no load)
The handle type	SP-990
Heater	Integrated heater (T990-K)
Package list	Main unit: 1unit    Handle : 1 PCS    Iron stand: 1 PCS    Manual: 1 PCS    AC cord: 1 PCS Anti-scalding sleeve: 1 PCS
Standard Packing	Inner box: 246x224x142(mm) N.W.: 2.22kg G.W.: 2.5kg Carton: 8PCS/Carton Size: 507x463x309(mm) N.W.: 20kg G.W.: 21kg

Note: Integrated heater (T990) in page 18.

**T800**  (Applicable models: ST-100)

 T800-0.25I	 T800-0.5I	 T800-1.0I	 T800-1.4I	 T800-1.2C	 T800-2.4C	 T800-3.2C	 T800-4.6C	 T800-0.8D	 T800-1.6D	 T800-3.2D	 T800-4.6D	 T800-K	 T800-SK
 T800-2CM	 T800-3CM												

**T990**  (Applicable models: ST-909 / ST-8902D)

 T990-B	 T990-B2	 T990-B3	 T990-B4	 T990-BL	 T990-BC1	 T990-BC2	 T990-BC3	 T990-C1	 T990-C4
 T990-D4	 T990-D08	 T990-D16	 T990-D12	 T990-D24	 T990-D52	 T990-I	 T990-K	 T990-KU	

# ST-1509

## Intelligent Soldering Station



### Features:

- 150W high power soldering station with LCD display.
- Using integrated soldering tips, rapid heating.
- Pluggable heater design, easy to replace.
- 3 sets shortcut temperature to simplify operations.
- Auto standby and sleep function, conserves energy and protect equipment.
- Support temp lock,temp calibration function.
- Support °C and °F.
- Password-protected function to preserve settings.
- Compatible with Y950/Y9130/Y9150/N9100 handles.

Can be used in conjunction with T9150-1815SP small tin furnaces



Integrated heater

Product application:  
Molten tin  
Tin on the wire head  
Tin disassembly on circuit board  
Solder tin plating



T9150-1815SP












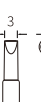



### Specification:


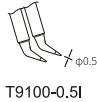
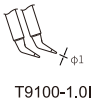
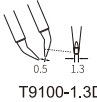
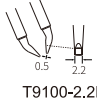
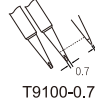
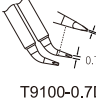
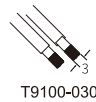
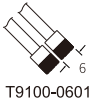
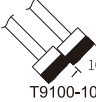

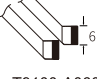
Model	ST-1509			
Voltage	AC(100V/110V/120V/220V/230V/240) 50/60Hz			
Power	150W			
Temperature range	80°C~480°C / 176°F~896°F			
Temperature accuracy	±10°C			
The handle type	Y950 /Y9130 /Y9150 /N9100 optional			
Soldering tip/Heater	T950-0.1IS T950-2.0SK / T9130-1.0I T9130-K / T9150-K T9150-B / T9100-0.5I optional			
Soldering stand	S-13			
Package list	Main unit: 1unit AC cord: 1 PCS	Iron Stand: 1PCS integrated heater with tip: 2 PCS	Manual: 1 PCS	Iron Handle: 1PCS
Standard Packing	Inner box: 282x210x187(mm) N.W.: 3kg G.W.: 3.3kg Carton: 6PCS/Carton Size: 435x300x580(mm) N.W.: 19.8kg G.W.: 20.8kg			

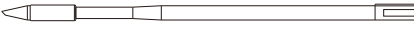
Note: Integrated heater details in page 20.(T950/T9100/T9130/T9150)









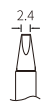


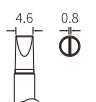













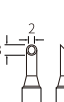
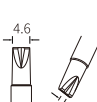
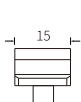
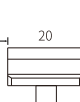
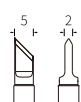
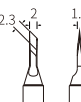
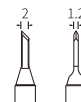
**T950**  (Applicable models: ST-1509)

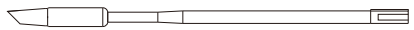
 T950-0.1IS	 T950-0.3IS	 T950-0.1SI	 T950-0.3SI	 T950-0.5I	 T950-1.2C	 T950-K	 T950-2.0SK	 T950-3.5SK	 T950-1.3D	 T950-2.2D	 T950-3.0D
---	---	---	---	--	--	---	---	---	--	--	--










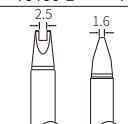
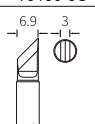
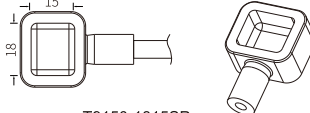
**T9100**  (Applicable models: ST-1509)

 T9100-0.2I	 T9100-0.5I	 T9100-1.0I	 T9100-1.3D	 T9100-2.2D	 T9100-0.7D	 T9100-0.7DS	 T9100-0301	 T9100-0601	 T9100-1001
 T9100-A0301	 T9100-A0601								

**T9130**  (Applicable models: ST-1509)

 T9130-B	 T9130-1.2B	 T9130-C	 T9130-1.2C	 T9130-2.4C	 T9130-3.2C	 T9130-4.6C	 T9130-1.6D	 T9130-2.4D	 T9130-3.2D	 T9130-4.6D
 T9130-4.6D-0.8	 T9130-0.2I	 T9130-0.5I	 T9130-1.0I	 T9130-0.1SI	 T9130-0.2SI	 T9130-0.3SI	 T9130-SI	 T9130-0.1IS	 T9130-0.2IS	 T9130-0.3IS
 T9130-0.5IS	 T9130-0.6IS	 T9130-2.0CM	 T9130-3.0CM	 T9130-4.6DI	 T9130-15D	 T9130-20D	 T9130-K	 T9130-SK	 T9130-2.0SK	

**T9150**  (Applicable models: ST-1509)

 T9150-B	 T9150-3C	 T9150-5C	 T9150-6.5C	 T9150-3.2D	 T9150-4.6D	 T9150-6.5D	 T9150-10D	 T9150-15.5D	
 T9150-4.6D(B3*2.5)	 T9150-K	 T9150-1815SP							

# ST-2090D

## Multifunctional Soldering Station



### Features:

- 80W soldering station with LED display.
- 2 in 1 design of soldering station and soldering iron stand.
- Using ceramic heater.
- Support temp lock function.
- Support °C and °F .
- Auto standby and sleep function, conserves energy and protect equipment.



Four core Ceramic heater HS-2065A

### Specification:

Model	ST-2090D
Voltage	110/240V AC
Power	80W
Temperature range	80°C~480°C / 176°F~896°F
Temperature Stability	±2°C (in still air, no load)
Temperature unit	°C/°F
Soldering tip type	T900-B
Heater	Four core Ceramic heater HS-2065A
Package list	Main unit (including machine, power cable and handle)x1pc Soldering wire holder x 1pc      User manual x 1pc
Standard Packing	Inner box: 200x180x125(mm) N.W.: 0.7kg G.W.: 0.91kg Carton: 12PCS/carton Size: 415x375x390(mm) N.W.: 11kg G.W.: 11.8kg

Note: T900 series soldering tip details in page 29.



# AT Series Soldering Station

## AT-969

Constant Temperature Controllable Soldering Station



## AT-989D

Constant Temperature Controllable Digital Soldering Station



### Features:

- MCU controlled temperature calibration with PID system equipped.
- The heater using low voltage AC source to ensure the antistatic and no leakage, no interference.
- Legerity handle suitable for long time operation.
- Unique temperature locks setting to avoid adjusting temperature.



High quality four-core wire heater HS-3060B



High quality four-core wire heater HS-3065B

### Specification:

Model	AT-969	AT-989D
Voltage	AC(100V/110V/120V/220V/230V/240) 50/60Hz	
Power	60W	65W
Temperature range	200°C~480°C / 392°F~896°F	80°C~480°C / 176°F~896°F
Temperature stability	±2°C (in still air, no load)	
The handle type	AP-61	AP-65A
Soldering tip type	T900-B	
Heater	High quality four-core wire heater HS-3060B	High quality four-core wire heater HS-3065B
Package list	Main unit: 1unit Handle: 1 PCS	Iron stand: 1 PCS AC cord: 1 PCS Manual: 1 PCS Cleaning sponge: 1 PCS
Standard Packing	Inner box: 250x210x134(mm) N.W.: 1.6kg G.W.: 1.7kg Carton: 12Carton/Carton Size: 515x435x425(mm) N.W.: 20.4kg G.W.: 21.4kg	Inner box: 250x210x134(mm) N.W.: 1.73kg G.W.: 1.96kg Carton: 12Carton/Carton Size: 515x435x425(mm) N.W.: 23.52kg G.W.: 24.52kg

Note: T900 series soldering tip details in page 29.

# ST Series Hot Air Station

## ST-862D

### Intelligent Hot Air Rework Station



#### Features:

- LCD display screen making control visualization.
- Support °C and °F switchable.
- Temperature locking, timed work function.
- MCU controlled temperature calibration, compensation for constant working.
- Strong air volume with brushless fan.
- Easy to replace with pluggable heater.
- Convertible with straight air and spiral air.
- Auto-sleep function.



#### Specification:

Model	ST-862D			
Voltage	AC(100V/110V/120V/220V/230V/240) 50/60Hz			
Power	1000W			
Temperature range	100°C~480°C / 212°F~896°F			
Air flow	20~130L/min			
Beep alarm function	Available			
The handle type	SP-102B			
Package list	Main unit: 1 unit Gun holder : 1 PCS	Hot air gun: 1 PCS AC cord: 1 PCS	Manual: 1 PCS Nozzles: 4 PCS	Nozzle converter: 1 PCS
Standard Packing	Inner box: 340x290x187(mm) N.W.: 4kg G.W.: 4.39kg Carton: 6PCS/carton Size: 600x360x580(mm) N.W.: 26.34kg G.W.: 27.5kg			

Note: nozzles details in page 30.

# ST-8800D

## Intelligent Hot Air Rework Station



### Features:

- 800W hot air rework station with LCD display.
- Built-in brushless fan, long service life and low noise.
- 3 set shortcut air volume/temperature to simplify operations.
- Support temp lock, temp calibration.
- Support °C and °F .
- Auto standby and sleep function, conserves energy and protect equipment.
- Password-protected function to preserve settings.
- With 10~900s timing function.
- Cold air function to cool components.
- Cooling automatic function(standby), effectively protects the life span of heating core and handle.



A-2000  
nozzle converter for all  
nozzles in page31(Optional)



A-2131



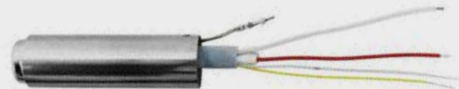
A-2104



A-2102



A-2105



Heater HR-2700A

### Specification:

Model	ST-8800D		
Voltage	AC(100V/110V/120V/220V/230V/240) 50/60Hz		
Power	800W		
Temperature range	100°C~500°C / 212°F~932°F		
Air flow	30-120L/min		
Standby heater cooling function	Support		
Beep alarm function	Available		
Package list	Main unit: 1 unit Gun holder : 1PCS	Hot air gun: 1 PCS AC cord: 1 PCS	Manual: 1 PCS Nozzles: 4 PCS
Standard Packing	Inner box: 302x175x187(mm) N.W.: 1.66kg G.W.: 1.94kg Carton: 9PCS/carton Size: 545x320x580(mm) N.W.: 17.46kg G.W.: 18.5kg		

Note: Nozzles details in page 30.

# AT-852D

550W Hot Air Rework Station with LED Display



## Features:

- Closed-loop and MCU zero crossing design for achieving fast heating-up, accurate and stable control.
- Knob control to adjust the air volume / temperature.
- High power diaphragm pump with high pressure.
- Patented heater for obtaining fast heating-up and extending life span.
- Intelligent cooling system and deferred power-off function.
- Automatic cooling function(standby),effectively protects the life span of heating core and handle.
- Support standby and temp calibration function.



Spiral heater HR-2550

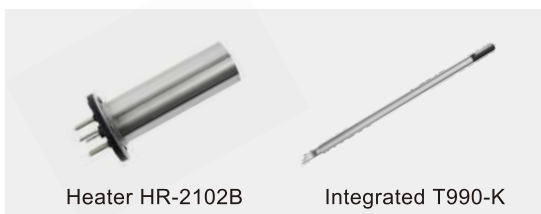
## Specification:

Model	AT-852D
Voltage	AC(100V/110V/120V/220V/230V/240) 50/60Hz
Power	550W
Temperature range	100°C~500°C / 212°F~932°F
Air flow	23L/min
The handle type	AP-550B+
Pump	Diaphragm pump
Timing function	No function
Noise	<50dB(A)
Package list	Main Unit: 1 PCS    Hot Air Gun: 1 PCS    Manual: 1 PCS Gun Holder: 1 PCS    AC Cord: 1 PCS    Nozzle: 2 PCS
Standard packing	Inner box: 330x272x195(mm) N.W.: 3.58kg G.W.: 3.77kg Carton: 6PCS/carton Size: 560x350x615(mm) N.W.: 22.62kg G.W.: 23.8kg

Note: Nozzles details in page 31.

# ST-8902D

## 2 In 1 Hot Air Rework Station



### Features:

- Hot air station and soldering station 2 in 1 design, saving working space.
- Hot air station: 1300W, rapid heating and high efficiency.
- Soldering station: 90W, rapid heating and temperature recovery.
- LCD display, support display accurate temperature & airflow.
- Provide 3 sets shortcut temperature to avoid frequent settings.
- Use brushless fan, and the air volume is soft and adjustable.
- Designed with intelligent standby and automatic sleep functions.
- Slender and comfortable handle design, ensure long-time holding work.
- Support °C and °F .
- Temperature lock function, ensure constant temperature work.
- Software temperature compensation function, more accurate and convenient.

### Specification:

Model	ST-8902D	
Voltage	AC(100V/110V/120V/220V/230V/240) 50/60Hz	
Name	Hot air station	Soldering station
Power	1300W(230V AC) 1000W(110V AC)	90W
Temperature range	100°C~500°C/212°F~932°F	200°C~500°C/392°F~932°F
Temp stability	±5°C	±2°C
Air flow	20~130L/min	
The handle type	SP-202E	SP-990
Package list	Main unit: 1 unit Hot air gun: 1 PCS Manual: 1 PCS Iron Handle: 1PCS Gun Holder : 1 PCS AC cord: 1 PCS Nozzles: 3 PCS Iron Stand: 1 PCS Ground wire:1 PCS Anti-scalding sleeve: 1 PCS	
Standard Packing	Inner box: 340x305x195(mm) N.W.: 4.8kg G.W.: 5.23kg Carton: 4PCS/carton Size: 625x355x415(mm) N.W.: 20.92kg G.W.: 21.92kg	

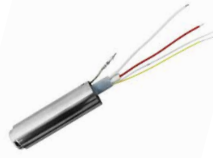
Note: Integrated heater (T990) in page 18. Nozzles details in page 31.

# ST-8802

## 2 In 1 Hot Air Rework Station



High quality four-core wire heater HS-3065B



heater HR-2700A



A-2131



A-2104



A-2102



A-2105

### Features:

- Hot air station and soldering station 2 in 1 design, saving working space.
- Hot air station: 800W, rapid heating and high efficiency.
- Soldering station: 65W, rapid heating and temperature recovery.
- LCD display, support display accurate temperature & airflow.
- Built-in brushless fan, long service life and low noise.
- 3 set shortcut air volume/temperature to simplify operations.
- Support temp lock, temp calibration function.
- Support °C and °F switchable.
- Auto standby and sleep function, conserves energy and protect equipment.
- Password-protected function to preserve settings.
- With 10~900s timing function.
- Cold air function to cool components.

### Specification:

Model	ST-8802			
Voltage	AC(100V/110V/120V//220V/230V/240) 50/60Hz			
Name	Hot air station		Soldering station	
Total Power	800W		65W	
Temp range	100°C~500°C/212°F~932°F		80°C~480°C/176°F~896°F	
Temp stability	±5°C		±2°C	
Air flow	120L/min			
The handle type	AP-800B		SP-65A	
Soldering tip			T900-0.2SI	
Package list	Main unit: 1 unit Gun Holder : 1 PCS	Hot air gun: 1 PCS AC cord: 1 PCS	Manual: 1 PCS Nozzles: 4 PCS	Iron Handle: 1PCS Iron Stand: 1PCS
Standard Packing	Inner box: 295x248x188(mm) N.W.: 3.2kg G.W.: 3.67kg Carton: 6PCS/carton Size: 515x310x595(mm) N.W.: 22.02kg G.W.: 23.1kg			

Nozzles details in page 30.

# AT-8502D

## 2 In 1 Hot Air Rework Station



### Features:

- Hot air station and soldering station 2 in 1 design, saving working space.
- Hot air station: 550W, rapid heating and high efficiency.
- Soldering station: 50W, rapid heating and temperature recovery.
- LCD display, support display accurate temperature & airflow.
- Diaphragm pump with high pressure make it suitable for various nozzles.
- 3 set shortcut air volume/temperature to simplify operations.
- Support °C and °F .
- Support standby and temp calibration function.
- Intelligent cooling system and deferred power-off function.
- Cold air function to cool components.

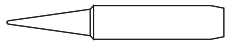
### Specification:

Model	AT-8502D			
Voltage	AC(100V/110V/120V/220V/230V/240) 50/60Hz			
Total Power	700W			
Name	Soldering station		Hot air station	
Power	50W		550W	
Temperature range	200°C~480°C / 392~896°F		100°C~500°C / 212~932°F	
Pump			Diaphragm	
Air flow			23L/min	
The handle type	AP-50		AP-551B	
Soldering tip	T900-B			
Noise			<50dB(A)	
Package list	Main Unit: 1 unit Gun Holder: 1 PCS	Hot Air Gun: 1 PCS AC Cord: 1 PCS	Manual: 1 PCS Nozzle: 4 PCS	Iron Handle: 1 PCS Iron Stand: 1 PCS
Standard packing	Inner box: 354x329x194(mm) N.W.: 4.85kg G.W.: 5.41kg Carton: 4PCS/carton Size: 670x370x415(mm) N.W.: 21.64kg G.W.: 22.85kg			




























Note: T900 series soldering tip details in page 29.

Nozzles details in page 31.

T900

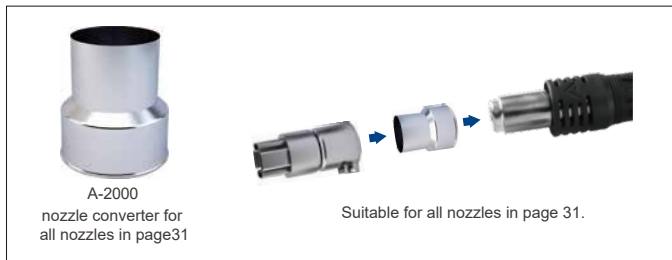
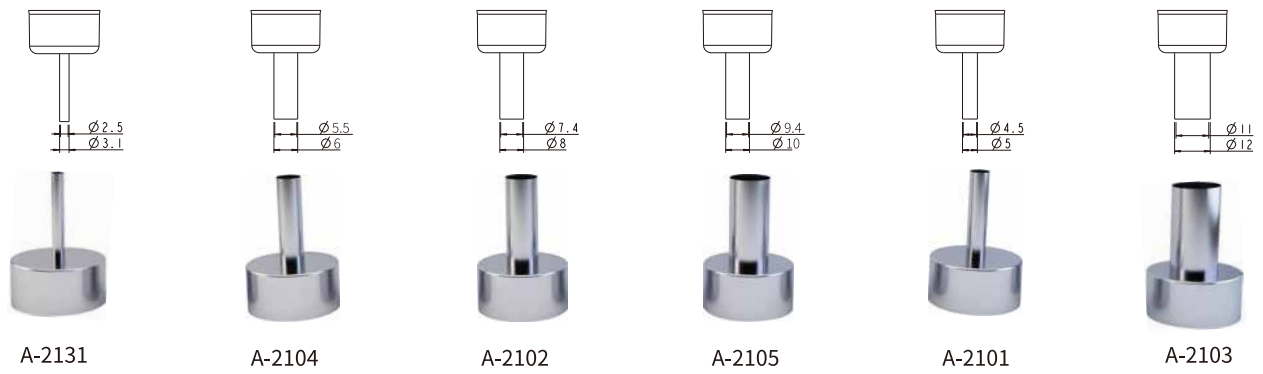


(Applicable models: AT-969 / AT-989D / AT-8502D / ST-8802 / ST-2065D)

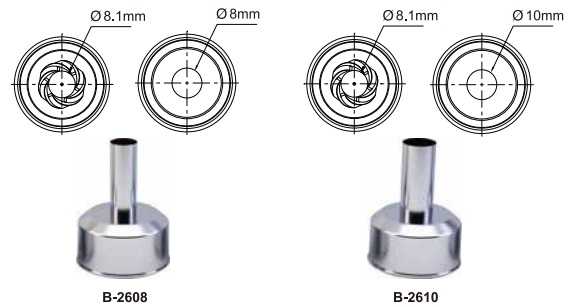
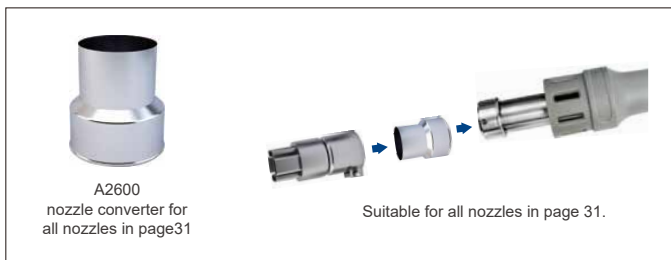
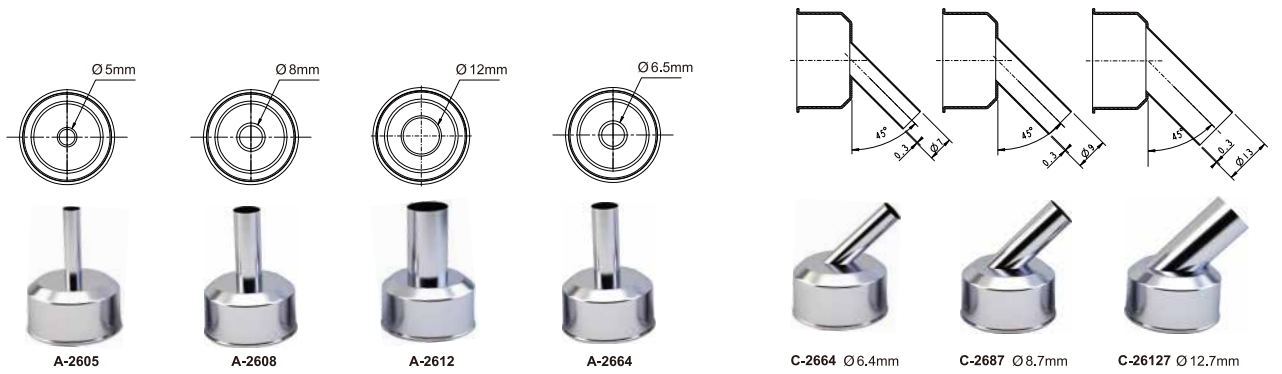
 T900-B	 T900-LB	 T900-SB	 T900-PB	 T900-I	 T900-0.2SI	 T900-SI	 T900-0.5C	 T900-0.8C
 T900-1C	 T900-2C	 T900-3C	 T900-4C	 T900-1.6K	 T900-K	 T900-2.0K	 T900-SK	
 T900-0.2IS	 T900-0.5IS	 T900-IS	 T900-0.8D	 T900-1.2D	 T900-1.6D	 T900-2.4D	 T900-3.2D	
 T900-2.0CM	 T900-3.0CM							



**Nozzles** (Applicable models: AT8586 AT858D+ ST-8800D ST-8802)

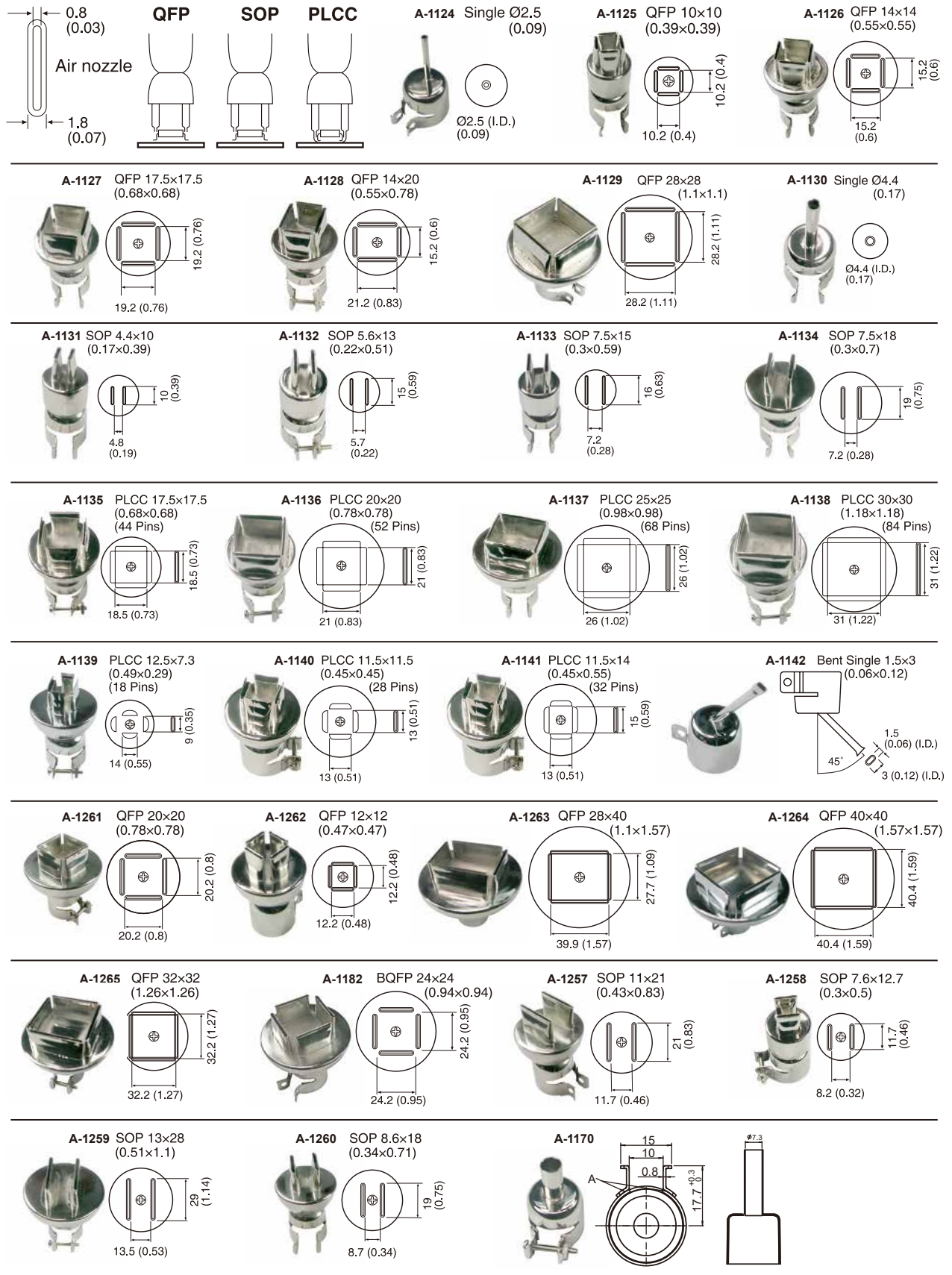


**Nozzles** (Applicable models: ST-862D)













**Nozzles**












(Applicable models: GT-1028 GT-8100A MS-900 AT850D AT852D AT8502D ST-8902D)







## Handle of Soldering station and Hot air rework station

### The soldering station handle

Model	Pictures	Models Available
AP-50		AT-937/AT-8586 /AT-8502D ROHS
AP-65		AT-937A ROHS
AP-65A		AT-989/AT-989D ROHS
SP-65A		ST-8802 ROHS
SP-60		ST-60 ROHS
SP-80		ST-80 ROHS
SP-100		ST-100 ROHS
SP-990		ST-909 ROHS
AP-60		AT-938D ROHS
AP-80		AT-980E ROHS

Model	Pictures	Models Available
SP-65		ST-965ROHS
SP-90B		ST-2090D ROHS
Y-950		ST-1509 50W ROHS
Y-9130		ST-1509 130W ROHS
Y-9150		ST-1509 150W ROHS
N-9100		ST-1509 100W ROHS
SP-H150		ST-1503 ST-1503D ROHS
AP-61		AT-969 ROHS
SP-H090		ST-9003D ROHS
SP-H120		ST-1203D ROHS
SP-H300		ST-3003D ROHS

### The hot air rework station handle

Model	Pictures	Models Available
AP-700B		AT-858D+/AT-8586 ROHS
AP-550B+		AT-850D/AT-852D ROHS
AP-551B		AT-8502D ROHS
AP-552B		MS-900 ROHS
SP-102B		ST-862D ROHS
AP-800B		ST-8800D/ST-8802 ROHS
SP-202E		ST-8902D ROHS
SP-202D		GT-1028 ROHS

# Automatic Equipment

## ZT-661-200H **ESD SAFE**

### Single axis Semi-Automatic Soldering Robot



#### Features:

- Soldering iron uses 200W high frequency eddy current heating, rapid heating, accurate control, ESD safe.
- PLC touch screen control, simple adjustment, easy operation.
- Metal heating handle, fast heating, heat storage, high temperature resistance, rust and corrosion prevention, long service life.
- Automatic cleaning, high efficiency.
- Change different soldering tools in different occasions.
- With foot switch control mode and automatic control mode
- Support RS-485 communication interface, the host mode can link to the ATTEN's fume extractor.

#### Specification:

##### Host:

Model	ZT-661-200H
Voltage	AC 220-240V~ 50/60Hz ( AC 110-120V~ 60Hz)
Power	250W (±10%)
Temperature range	80°C~500°C / 176°F~932°F
Temperature compensation	±50°C
User-defined user parameters	Support 10 groups of user parameter customization
Work conditions	Temperature: 0°C~40°C Humidity: <85%RH
Solder wire perforation function	Optional (standard without broken tin)
Overall dimension	320(L)x350(W)x285(L)mm
Weight	≈13.2 kg

##### Air source component parameters:

Maximum working pressure	1.0Mpa (10.2kgf/cm <sup>2</sup> )
Ambient and fluid temperature	-5~60°C (not frozen)
Suggested Oil	No. 1 turbine oil/ISOVG32
Input air pressure	0.058~0.85Mpa (0.51~8.7kgf/cm <sup>2</sup> )

##### Handle parameter:

Item No	ZP-200HG
Power	≥200W
Soldering tip	T511G-U(8.0*2.0)
Heater	HS-200H

##### Packing:

Standard packing	Inner box: 558x455x380(mm) G.W.: 16.1KG	Carton: 1PCS/Carton Size: 578x472x405(mm) G.W.: 17KG
------------------	--	--

# ZT-660-150G **ESD SAFE**

## Auto-Feed Soldering Station



### Features:

- Automatic tin dispensing system, single handed operation, simple and easy welding, improving work efficiency.
- Temperature control range from 80 ° C to 500 ° C, stable and accurate temperature control.
- Anti static design can prevent damage to sensitive components due to static electricity.
- Adjustable amount of solder return to reduce waste of solder.
- The tin feeding speed and length can be set.

### Specification:

#### Host:

Model	ZT-660-150G
Voltage	AC 220-240V~ 50/60Hz ( AC 110-120V~ 60Hz)
Power	180W (-10%~5%)
Temperature range	80°C~500°C
Temperature compensation	±50°C
User parameter customization	Support 10 sets of user parameter customization
Tin breaking function	Optional (standard without broken tin)
Work conditions	Temperature: 0°C~40°C Humidity:<85%RH
Overall dimension	275x180x117mm
Weight	≈4.1 kg

#### Handle parameter :

Model	ZP-155G
Power	≥150W
Heater type	T155 Series
Line length	100cm
Dimensions	183x21x30mm
Weight(Net)	≈0.14kg

#### Packing :

Standard Packing	Inner box: 450x330x215(mm) G.W.:≈6.5KG	Carton: 2PCS/Carton Size: 465x345x455(mm) G.W.:≈14KG
------------------	---	--

# Soldering Iron

## GT-2010+

### USB Soldering Iron



#### Features:

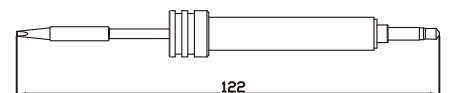
- Portable design, can be carried after handle cap inserted if it's hot.
- USB standard interface of power bank or adapter supply it with electricity.
- Contact temperature-sensed design, more sensitive and more accurate sensing.
- Full silicone handle cable, anti-scalding and anti-winding.
- Using integrated soldering tips, rapid heating.
- Pluggable heater design, easy to replace.
- 3 sets of shortcut temperature, fast and convenient.
- Auto sleep function, conserves energy and protect equipment.

#### Specification:

Soldering iron stand(Optional)

Model	GT-2010+
Voltage	5V DC
Power	10W
Temperature range	100°C~450°C / 212°F~842°F
Temperature Stability	±2°C (in still air, no load)
Heater	10W integrated heater (T10-0.5I)
Temperature offset range	±50°C/±90°F
Auto-sleep mode	Support
Package list	Manual: 1PCS Certificate of quality: 1PCS USB Soldering iron : 1 Unit
Standard Packing	Inner box: 255x45x45(mm) N.W.: 0.12kg G.W.: 0.15kg Carton: 30pcs/carton Size: 475x270x300(mm) N.W.: 4.5kg G.W.: 5kg

#### Integrated heater ( 10W )



<p>T10-1.3D</p>	<p>T10-1.2C</p>	<p>T10-2.2D</p>	<p>T10-3.0D</p>	<p>T10-0.5I</p>	<p>T10-K</p>
-----------------	-----------------	-----------------	-----------------	-----------------	--------------

# ST-2065D/ ST-2080D/ ST-2150D

## Soldering Iron






### Features:

- Automatic sleep after 10 minutes inactivity.
- Automatic shut down after 20 minutes inactivity.
- Build in PID system.
- Shortcut temperatures adjust by button.
- LCD / LED display design.
- Soldering tip designed separate from heater and using exchangeable T2080, T2150, T900 series to save use-cost.



Soldering iron stand S-11  
(Optional)

### Specification:

Pictures			
Model	ST-2065D	ST-2080D	ST-2150D
Power	65W	80W	150W
Temperature range	80°C~480°C 176°F~896°F		
Temperature stability	±2°C		
Heater	Four-core PTC heater HS-2065D	Four-core PTC heater HS-2080	Four-core PTC heater HS-2150
Heating indication	Blue LED		
Temperature unit	°C/°F		
Display method	LCD		
Soldering tip	T900-B	T2080-B	T2150-B
Package list	Soldering Iron: 1 Unit	Iron holder: 1 PCS	Manual: 1 PCS
Standard Pckaging	Inner box: 55x46x290(mm) N.W.: 0.21kg G.W.: 0.25kg	Carton:50pcs/carton Size:490x305x335(mm) N.W.: 12.5kg G.W.: 13.8kg	

Note: T2080, T2150 series soldering tip details in page 37. T900 series soldering tip details in page 29.

### T2080



(Applicable models: ST-2080/ST-2080D)

 T2080-B	 T2080-0.8D	 T2080-1.2D	 T2080-1.6D	 T2080-2.4D	 T2080-3.2D	 T2080-4.6D
 T2080-6.5D	 T2080-3C	 T2080-5C	 T2080-6.4C	 T2080-K	 T2080-SK	 T2080-I

### T2150



(Applicable models: ST-2150/ST-2150D)

 T2150-B	 T2150-3.2D	 T2150-4.6D	 T2150-6.5D	 T2150-3C	 T2150-5C	 T2150-7C
 T2150-K	 T2150-I					



# Other equipment

## ST-680D ESD SAFE

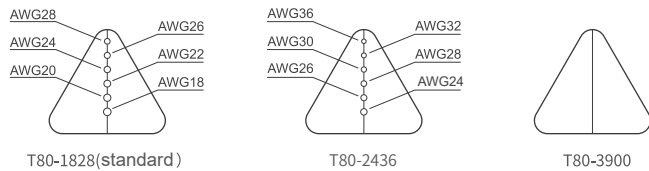
### Thermal Wire Stripper



#### Features:

- LCD digital large-screen display.
- Ergonomic hand piece, support opening and closing angle adjustment.
- Standard blade, support process ultra-fine AWG36 wire without damage.
- Integrated host and handpiece design to save space.
- Separated design of handle and heating element, support replace blade simple and conveniently.
- With standby and dormancy functions, reducing energy consumption and improving blade life.

Replaceable cutting tools (easy and easy to disassemble)  
Three types of cutting tools to choose from



Handle with Knife Type Blade SP-D80 (Optional)

#### Specification:

Thermal wire stripper host:

Model	ST-680D
Voltage	AC 220-240V~ 50/60Hz / ( AC 110V~ 60Hz)
Power	100W
Temperature range	10%-100% (High temperature 10%~150%)
Standby temperature	1/2 setting value output
Dimensions	201 (L) x 84 (W) x 195 (H) mm
Weight(Net)	≈2.74 kg

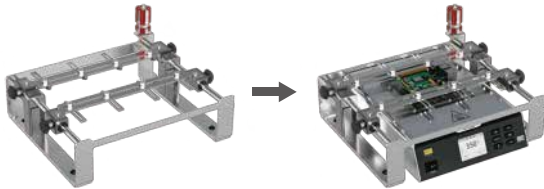
Thermal wire stripper handle:

Model	SP-N80
Power	≥80W
Line length	1.2m
Dimensions	76 (L) x 159 (W) x 161 (H) mm
Weight(Net)	≈0.122kg

Standard Pcking	Inner box: 312x210x235(mm) N.W.: 2.74kg G.W.: 3.36kg	Carton: 4pcs/carton Size: 435x325x490(mm) G.W.: 14.5kg
-----------------	--	--

# ST-7500/ST-7800 **ESD SAFE**

Preheating platform



(ST-7500 optional bracket)

## Features:

- Anti static design.
- Three sets of quick parameter designs for quick temperature switching.
- Temperature locking, temperature compensation function, achieving constant temperature operation.
- Sensor closed loop PID control, precise and stable temperature.
- Can be used for preheating circuit boards and other processes that require uniform heating.
- Equipped with an external K-type sensor interface, convenient for testing the actual temperature of heating products.

## Specification:

Model	ST-7500	ST-7800
Voltage	AC 220-240V~ 50/60Hz ( AC 110-120V~ 60Hz)	
Power	400W (±10%)	800W (±10%)
Temperature Range	50°C~500°C	50°C~350°C
Heating area	120*120mm	200*180mm
Heating material	Infrared Ceramic	Aluminum Plate
External K-type thermocouple	Support (temperature measurement range 0~650 ° C)	
Communication function	Support (RS485 interface)	
Linkage function	Support (can be used in conjunction with ATTEEN smoke purifier)	
Temperature Lock	Support	
Dimensions	278(L)x203(W)x73(H)mm	355(L)x293(W)x73(H)mm
Weight (Main Unit)	≈2.4kg	≈5.1kg
Standard Pckaging	Inner box: 353x353x140(mm) G.W.: ≈3kg Carton: 4pcs/carton Size: 368x368x585(mm) G.W.: ≈13kg	Inner box: 465x402x200(mm) G.W.: ≈6.5kg Carton: 2pcs/carton Size: 482x418x430(mm) G.W.: ≈14kg

# ST-1020D / ST-1020DX

Static Eliminator DC Ion Fan



(With Wifi Function)

## Features:

- LED Digital display.
- Adjustable ion balance.
- Quickly neutralizes static charges within 1.2s.
- Connect to computer via RS485 port.
- Easy cleaning and replacing of emitter needle.
- Ion deviation alarm (audible).

# ST-1015 / ST-1015W

Static Eliminator AC Ion Fan



(Warm Air Type)

## Features:

- Adjustable ion balance.
- Quickly neutralizes static charges within 2s.
- Adjustable fan speed capable of generating a large-area ion stream.
- Built-in emitter cleaner, easy cleaning.
- Safe and low power consumption heat.

## Specification:

Model	ST-1020D	ST-1020DX	ST-1015	ST-1015W
Voltage	AC 220-240V~ 50/60Hz			
Power	20W		15W	360W
Air flow	≤2.4m3/min			
Heating temperature	No		No	40°C~45°C
Static elimination time	≤1.2S		≤2S	
Ion balance	±10V			
Ion balance adjustable	Yes			
Ion emitting needle	Pluggable		Fixed	
Effective range	400*1500mm			
Work conditions	Temperature: -5°C~45°C Humidity:<75%RH			
Computer Control	RS485	RS485 / Antenna	No	
Dimensions	146 (L) x85 (W) x238 (H) mm			
Weight(Net)	≈3.16Kg		≈2.98Kg	
Installation method	Desktop, Hanging, Clamping			
Standard Pcking	Inner box: 282x210x235(mm) N.W.: 2.98kg G.W.: 3.48kg		Carton: 4pcs/carton Size: 435x297x495(mm) G.W.: 15kg	

## Wrist Strap

### AT-FJ1



### AT-FJ2



- Strong anti-static. The wrist strap can dissipate the static electricity of the human body.
- High safety performance. The wrist strap is made of thermoplastic material with light.
- Thin and soft, it is safe to contact with human skin and easy to use.
- Strong resistance. The impedance of the wrist strap can reach  $10^4\Omega$ .

## Wrist Strap On-line Monitor

### AT-518-1



Output: 6V DC  
Size: 62x45x29(mm)  
Weight: 41g(excluding power adapter)

Input: AC 220V  
Material: ABS  
Consumption: 1.8W

### AT-518-2



Output: 6V DC  
Size: 103x56x29(mm)  
Weight: 74g(excluding power adapter)

Input: AC 220V  
Material: ABS  
Consumption: 1.8W



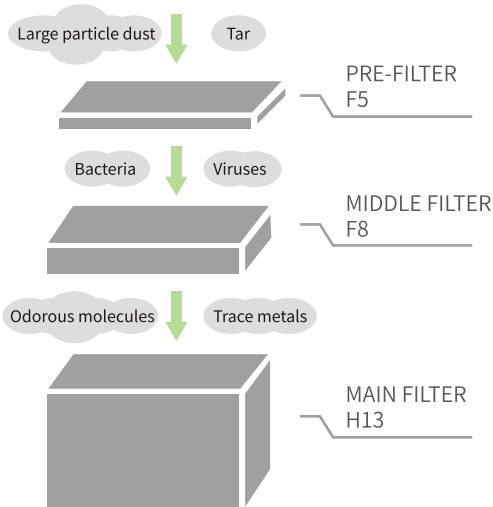
- When the grounding system of the human body wrist strap is working and operating normally:there is no voice and LED green light on.
- When the grounding system of the human body wrist strap is broken down there is alarm voice and LED red light flashing.

# Fume Extractor

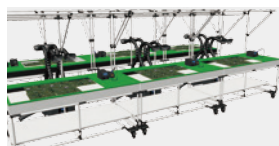


## Specification:















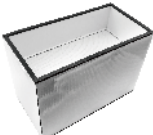







Model	ST-1101	ST-1101D	ST-1202	ST-1202D
Voltage	AC(100V/110V/120V/220V/230V/240) 50/60HZ (Optional)			
Power	160W		180W	
Work position	1		2	
System flow(including filtrating equipment)	240m <sup>3</sup> /H(±10%)		150m <sup>3</sup> /H*2(±10%)	
Filter Efficiency (0.3 micron)	99.97%			
RS485 interface	No	Yes	No	Yes
Overall dimension(host)	465x250x480mm			
Weight	17kg		18.2kg	



- 1.The relatively dense side of the pre-filterfaces down.
- 2.The sequence of filters shall be subject to right diagram.  
Disorganization is strictly forbidden.
- 3.Suggestions on replacement cycle of filters:
  - a.PRE-FILTER 10-15 days
  - b.MIDDLE FILTER 3-6 months
  - c.MAIN FILTER 6-9 months
 (Remark: The actual replacement cycles of filtersshall be subject to the pollution levels of differentsites.)



## Fume extractor accessories

<p>Square transparent exhaust hood</p>  <p>470x370mm</p> <p>D-1375B(for moxibustion)</p>	<p>Square transparent exhaust hood</p>  <p>650x420mm</p> <p>D-1375C(for moxibustion)</p>	<p>Round transparent exhaust hood</p>  <p>φ420mm</p> <p>D-1375D(for moxibustion)</p>	<p>Square Funnel Nozzle</p>  <p>210x130mm</p> <p>D-1375</p>
<p>Round Funnel Nozzle</p>  <p>φ150mm</p> <p>D-1375A</p>	<p>Round Funnel Nozzle</p>  <p>φ150mm</p> <p>D-1375E</p>	<p>Tube connector</p>  <p>φ75mm</p> <p>B-1175</p>	<p>Tube connector</p>  <p>φ75mm</p> <p>B-1175A</p>
<p>Flexible tube</p>  <p>φ75mm</p> <p>A-1075</p>	<p>Flexible tube</p>  <p>φ75mm</p> <p>A-1075A (with valve)</p>	<p>Flexible tube</p>  <p>φ55mm</p> <p>A-1055</p>	<p>Flexible tube</p>  <p>φ55mm</p> <p>A-1055A (with valve)</p>
<p>Extraction arm</p>  <p>450+350+350+200mm</p> <p>A-1063</p>	<p>Extraction arm</p>  <p>450+350+350+200mm</p> <p>A-1063A (with valve)</p>	<p>Main filter</p>  <p>388x202x270mm</p> <p>C-1200A1(for lampblack)</p>	<p>Washed filter</p>  <p>367x182x18mm</p> <p>C-1200D1(for lampblack)</p>
<p>Pre-filter</p>  <p>367x182x5mm</p> <p>C-1200D(for lampblack)</p>	<p>Pre-filter</p>  <p>367x182x10mm</p> <p>C-1200C</p>	<p>Medium efficiency filter</p>  <p>367x182x55mm</p> <p>C-1200B</p>	<p>Main filter</p>  <p>388x202x270mm</p> <p>C-1200A</p>
<p>Nylon suction tube</p>  <p>φ80mmx2500mm</p> <p>A-1250</p>	<p>Nylon suction tube</p>  <p>φ80mmx1000mm</p> <p>A-1100</p>	<p>Table clamp</p>  <p>B-1175-2</p>	<p>PVC duct pipe</p>  <p>E-1060</p>

# Solder Smoke Absorber



ESD safe

ST-1016/ST-1016-P



- Power: 22W
- Desktop-type with vertical and horizontal dual-use.
- Remove soldering smoke and fumes quickly and safely.
- Highly activated carbon material with strong absorb function.
- LED lighting function.

## Test Data

Test Item	Test Data
Air volume (vertical) m <sup>3</sup> /min	1.03
Air Volume (horizontal) m <sup>3</sup> /min	0.4
Air flow (vertical) m/s	1.0
Air flow (horizontal) m/s	2.6
Maximum suction capacity m <sup>3</sup> /min	1.03



# Hot Melting Glue Gun

Product pictures		
Model number	JQ-050	JQ-100A
Voltage	110V~240V	
Power	50W	100W
High temperature	180°C	200°C
Glue stick	φ7mm	φ11mm

JQ-010



Full charge lasts 60 minutes

- Power: 8-10W
- High temperature: 180°C
- Glue stick: φ7mm

## Glue stick



φ11mm



φ7mm

# Heat Gun



## Features:

- Accurate temperature control.
- 6 sets shortcut temperatures.
- Brushless fan for air supply.
- Two temperature settings.
- Plug and unplug the heating element.
- Overload protection.
- Soft rubber handle.

## Specification:

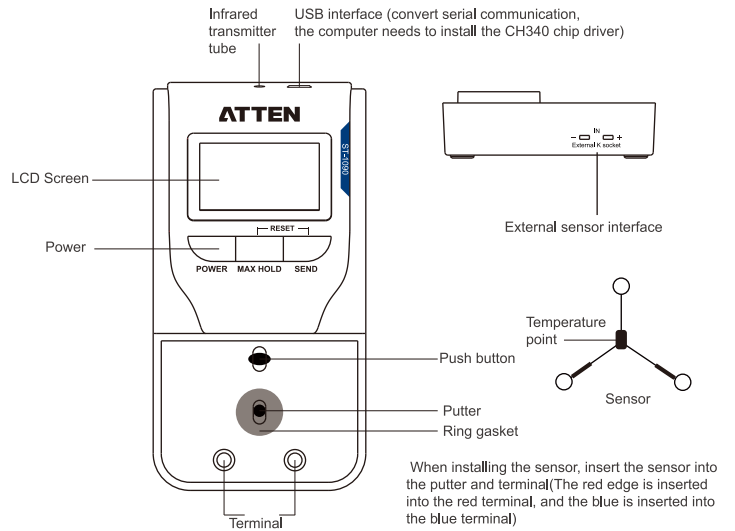
Model	ST-2308DX		
Voltage	AC(100V/110V/120V/220V/230V/240) 50/60HZ (Optional)		
Power	2300W		
Temperature range	50°C~650°C / 122°F~1202°F		
Air flow	200-500L/min		
Remarks	LCD, Adjustable Temp, Brushless fan		
Standard Packing	Heat gun: 1unit	Nozzle: 1 PCS	User manual: 1 PCS
Product size	290x82x210mm		
N.W.	1.13kg		
G.W.	1.32kg		

## Heat Gun Nozzles





# Temperature tester



## Specification:

Model	ST-1090
Resolution	1°C/1°F
Temperature range	0-800°C/32-1500°F
Accuracy Temperature	±5°C/±9°F
Sensing wire	K-type thermocouple
Display	LCD
Power	9V DC High-performance Alkaline battery
Operating environment	0°C~40°C/32°F~104°F
Size	75x143.5x41.5mm
Weight	185g
Package list	Host ST-1090:1                      Battery: 1 K-type thermocouple test wire:1 Sensor : 10                      MINI USB data line 1 Manual: 1

## IR function:



Temperature infrared transmission function, can be used with ST-1503/ ST-1503D/GT-1028, implement temperature correction.

## A serial port function:

The serial port data line is connected to the thermometer and the computer, the thermometer displays COM as shown in Figure 4-2; the thermometer sends to the computer every 100ms temperature data.



ATEN serial port assistant

Download ATEN serial port assistant from the official website (You can also use other serial port assistants)

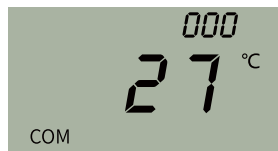
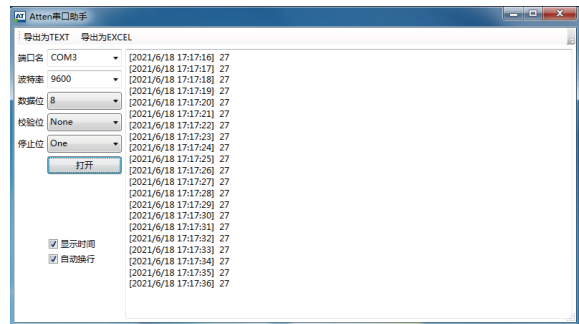


Figure 4-2 (Serial communication baud rate 9600)



ATEN serial port assistant interface

Note: convert serial communication, the computer needs to install the CH340 chip driver

## Magnifying Frame



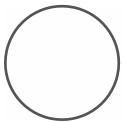
### FT-90A

- Made up of steel base, movable mechanical arm, fixed frame and magnifying glass, adjust proper height.
- The components can be adjusted in any direction.
- Use for observation / repair / circuit board (especially high-density, precision circuit board) welding of small objects as an extensive maintenance tool.

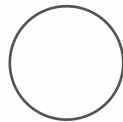
Magnification times: 3x  
Diameter of glass: about 9cm  
Type: Multi-direction  
Weight: 516g



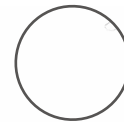
## Tweezers



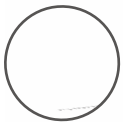
AT-110



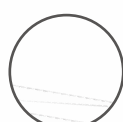
AT-113



AT-115



AT-111

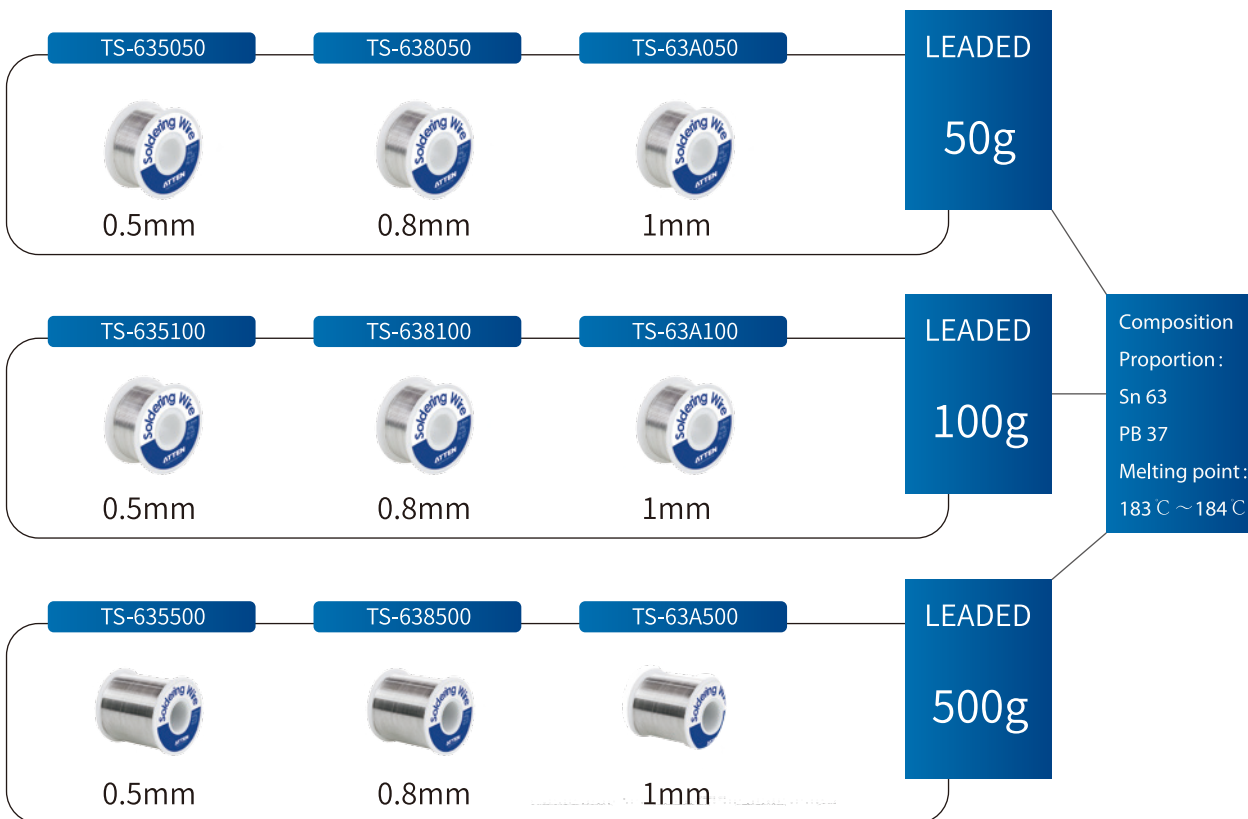
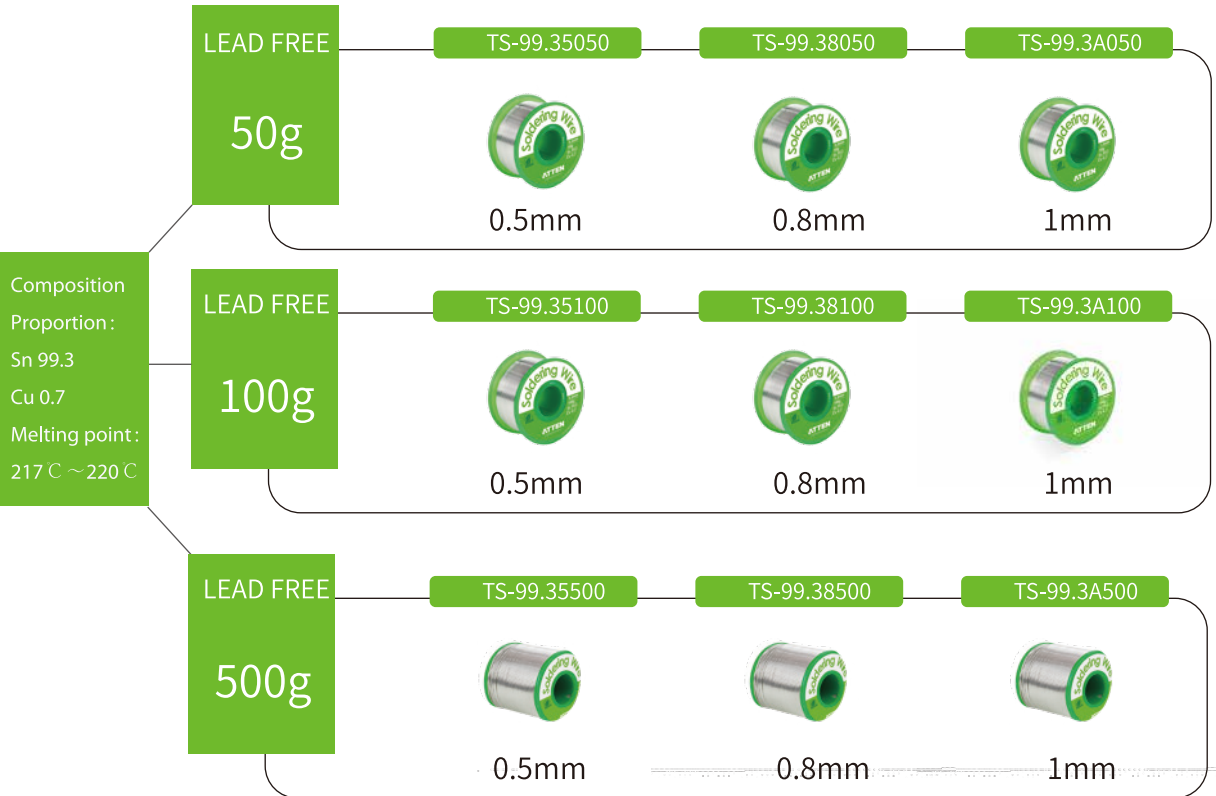


AT-114



Package

## Soldering Wire



Including rosin

## Tin-silver Soldering Wire

Low Silver  
Composition  
Proportion

Sn99%  
Cu0.7%  
Ag0.3%

Melting point:  
216°C~227°C

50g

TS-Ag0.35050



0.5mm

TS-Ag0.38050



0.8mm

TS-Ag0.3A050



1mm

100g

TS-Ag0.35100



0.5mm

TS-Ag0.38100



0.8mm

TS-Ag0.3A100



1mm

500g

TS-Ag0.35500



0.5mm

TS-Ag0.38500



0.8mm

TS-Ag0.3A500



1mm

Silver  
Composition  
Proportion

Sn96.5%  
Cu0.5%  
Ag3%

Melting point:  
217°C~220°C

50g

TS-Ag035050



0.5mm

TS-Ag038050



0.8mm

TS-Ag03A050



1mm

100g

TS-Ag035100



0.5mm

TS-Ag038100



0.8mm

TS-Ag03A100



1mm

500g

TS-Ag035500



0.5mm

TS-Ag038500



0.8mm

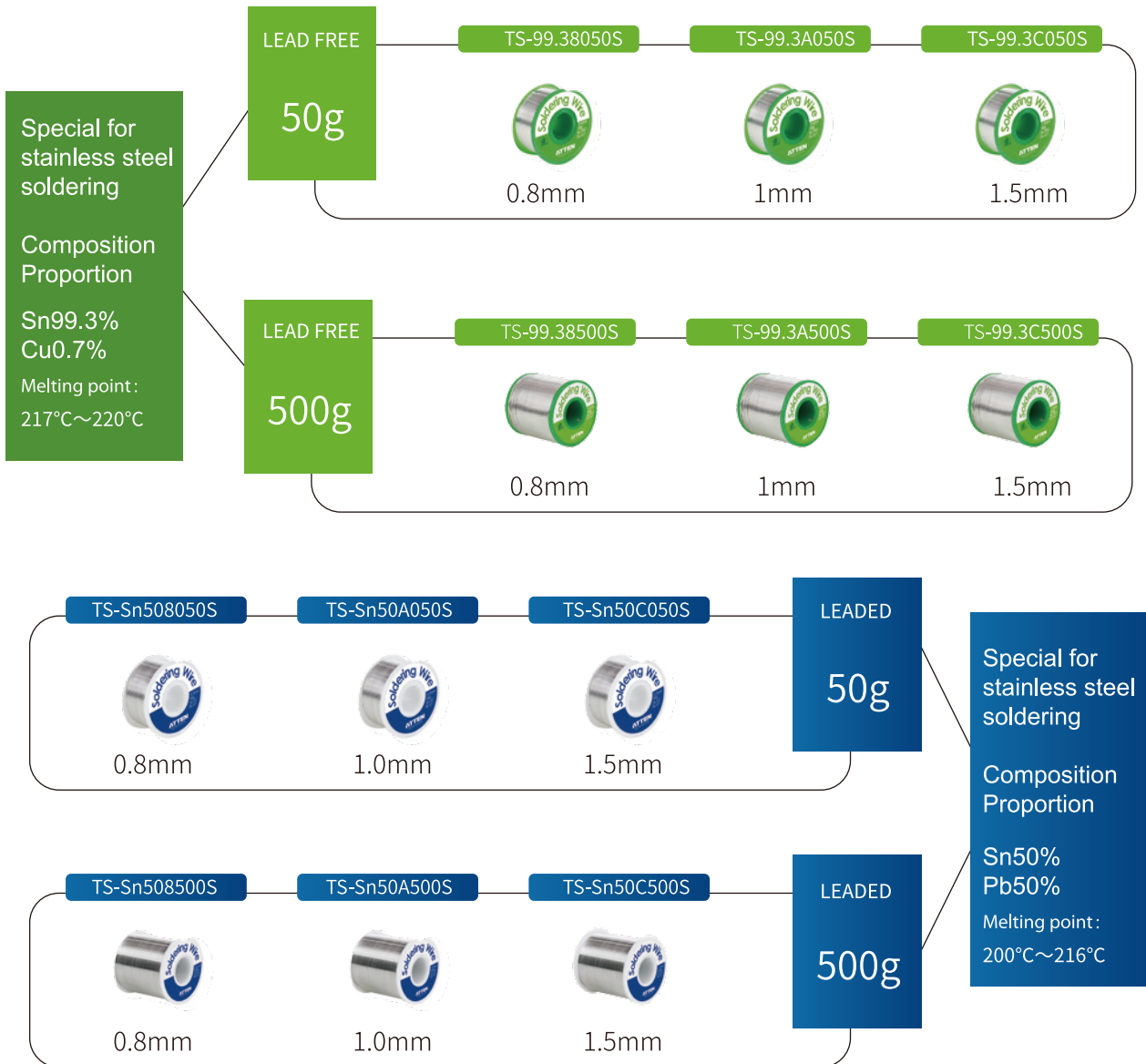
TS-Ag03A500



1mm

Including rosin

## Stainless Steel Tin Soldering Wire



Including rosin

Note: Can not be used for PCB board welding.

# Soldering Wick

AT-0815

WIDTH  
0.8mm

LENGTH  
1.5m



AT-1515

WIDTH  
1.5mm

LENGTH  
1.5m



AT-2015

WIDTH  
2.0mm

LENGTH  
1.5m



AT-2515

WIDTH  
2.5mm

LENGTH  
1.5m



AT-0820

WIDTH  
0.8mm

LENGTH  
2m



AT-3515

WIDTH  
3.5mm

LENGTH  
1.5m



AT-1520

WIDTH  
1.5mm

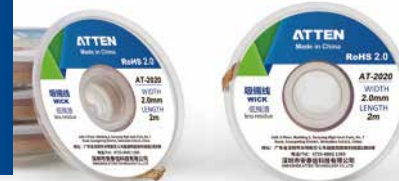
LENGTH  
2m



AT-2020

WIDTH  
2.0mm

LENGTH  
2m



AT-2520

WIDTH  
2.5mm

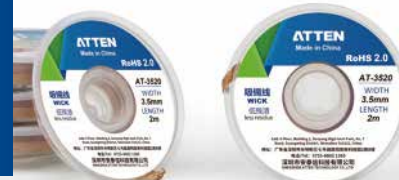
LENGTH  
2m



AT-3520

WIDTH  
3.5mm

LENGTH  
2m



Note: Including soldering flux

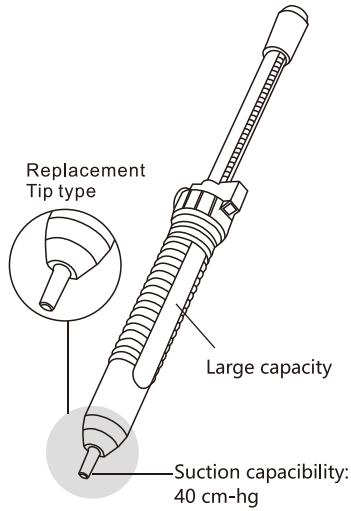
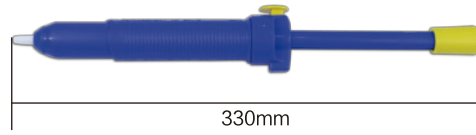
## Desoldering Tool

ESD safe

AT-E330A



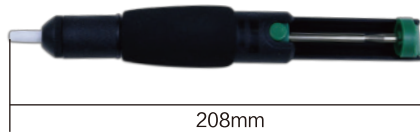
AT-E330P



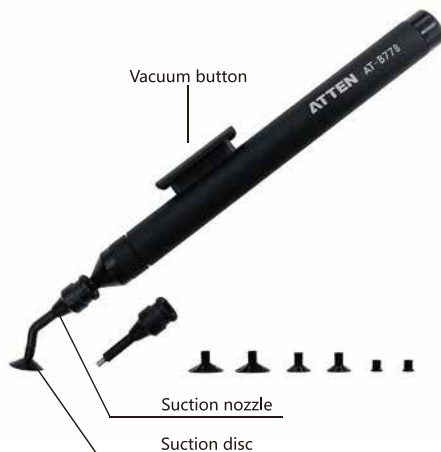
The Desoldering Pump come with high vacuum force especially made for clearing circuit boards in rework jobs and field repair.

- Piston with double oil seals: no air leakage guarantee.
- Soft handle delivers comfortable grip and non-slip function.
- Compact size.
- Anti-rust spring.
- Built-in tip for easy replacement.
- Quick and easy solder residue clearance.

AT-E210D



## Vacuum pick-up tool



AT-B778

Item	Size	Pcs	Other
Suction disc S-1	φ3mm	2	
Suction disc S-2	φ7mm	2	
Suction disc S-3	φ10mm	2	
Suction nozzle Y-1	/	1	Straight
Suction nozzle Y-2	/	1	Bent

## Solder Dross Box



### CS-05B

#### For cleaning soldering tips.

The soldering tip is cleaned by wiping or turning it in the metal wool. subsequently, a fine solder layer will remain which prevents fast oxidation of the soldering tip, and represents a considerable advantage compared to standard sponge cleaning.

#### Caution

keep the product away from children.

Only use the metal wool to clean soldering tips.

Remove the soldering tip from the metal wool directly after cleaning.

## Tin Slag Box



### CS-08B

- Special for lean soldering tip and recycling tin residue.
- Anti-static / high temperature resistance.
- Pour out the tin block easily.
- Improving the problem of throwing tin while soldering, dirty and messy working environment, convenient to mass collect and take out after collecting, etc.

## Solder Iron Stand



### S-11

- All-metal construction.
- Portable solder stand which helps.
- Work more convenience.
- The tilt angle is adjustable.



## Solder Wire Stand



### TJ-227

- Metal sheet base.
- The shaft can support 1kg soldering.
- The Shaft easy to take off.
- Move flexible.

### TJ-228

- All-metal construction.
- Simple design.
- Soldering wire holder and sponge plate 3 in1.
- Save space, use easily.



## Solder Pot

Product pictures				
Item	LT-360B	LT-350B	LT-380B	LT-310B
Power	130W	160W	250W	300W
Voltage	220V~240V	220V~240V	220V~240V	220V~240V
Temperature range	50~520°C	50~520°C	50~480°C	50~480°C
Solder capacity	0.3KG	0.5KG	1.6KG	2.2KG
Crucible Size	φ36mm	φ50mm	φ80mm	φ100mm
Melting time	10min	10min	20min	20min

## Tip Refresher



### AT-F10

- Remove oxidizing material from soldering tip and tin the tip again.
- Do not contain diammonium phosphate, no damage to circuit board.
- Environmental protection, no hazardous substance.
- It's reusable.

## Rosin Flux



### TR-045

- Remove oxidation film.
- Prevent oxidation.
- Reduce surface tension.

Weight: 45g

## Paste Flux

### AT-H20



Model	AT-H20	Dimensions	φ29x34x101mm
G.W	20g	N.W	10g
Color	Light yellow solid	Certification	ROHS

### AT-H40



Model	AT-H40	Dimensions	φ59x27mm
G.W	40g	N.W	36g
Color	Light yellow solid	Certification	ROHS

### AT-H60



Model	AT-H60	Dimensions	φ72x28mm
G.W	60g	N.W	56g
Color	Light yellow solid	Certification	ROHS



ISO9001:2015



*Engineer's partner*



[www.atten.com](http://www.atten.com)