

Safety Precautions



CAUTION

- Do not install display in a wet environment or place anything on the top of the display filled with liquid, such as vase or beverage.
- Do not install near flammable objects, such as gasoline or other volatile liquids.
- Do not install near any heat sources such as radiators or other heating devices.
- Do not install in the dusty environment.
- Do not damage the power cord or plug.
- Do not disassemble the screen to avoid electric shock.
- The product can normally operate only under 2000m in altitude. In installations at altitudes above 2000m, some abnormalities may be experienced.



WARNING

- After extended use the heat sink behind the screen may be hot. Do not touch to avoid being burned.
- Do not touch the screen panel with sharp objects or extreme pressure to avoid damage to the panel.
- The display should be installed in well-ventilated place, do not install in a confined space.
- Do not drop or allow any object to fall to the screen.
- Do not touch the screen with wet hands to avoid electric shock.
- When cleaning, unplug the monitor. Use a soft, dry cloth to wipe the screen off. Do not use alcohol or other chemical liquids.
- If you smell smoke or hear a strange noise, immediately unplug the monitor and contact the vendor.
- Do not discard this product with general household waste. Please be sure to comply with the local waste regulations.
- Suitable for mounting on concrete or other non-combustible surface only.
- Please power off the LCD and the video source before plugging in the DVI cable.



IMAGE BURN-IN WARNING

- When a stationary or fixed image is displayed for a long time on the screen, the image may be permanently imprinted on the screen. This phenomenon is known as image burn-in and is not covered by the manufacturer's warranty.
- In order to avoid burn in, avoid prolonged display of static or fixed images on the screen.

V1.00

Contents

Confirm the items below are included with the display. If any item is missing, please contact your dealer.

NOTE: The color and shape of the accessories may vary by product.

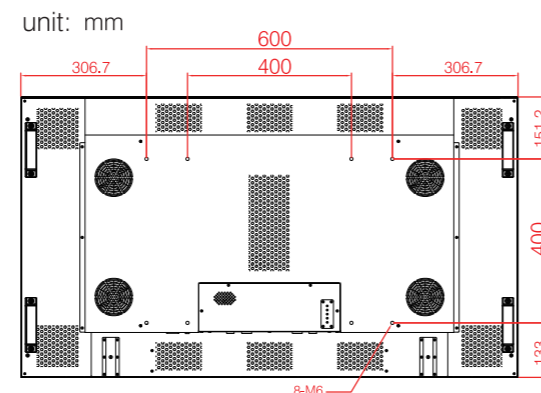
- DS551LX4 Professional LCD x1 pcs
- Remote Control x1 pcs
- Batteries (1.5V / AAA) x2 pcs
- Power Cable x1 pcs
- Quick Start Guide x1 pcs
- RS-232 cable x1 pcs
- DVI cable x1 pcs
- CD-ROM x1 pcs
- Ethernet crossover cable x1 pcs

Mounting the Display

When used in the portrait orientation, the LCD should be rotated clockwise such that the left edge becomes the top edge.

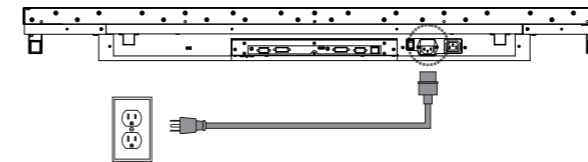


A standard VESA wall mount may be used to secure the display to wall (purchased separately).

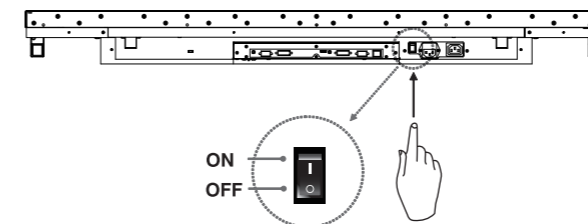


Powering On the Display

- Connect the power cable to the AC-IN of display. Connect other end to 110-220 VAC power outlet.



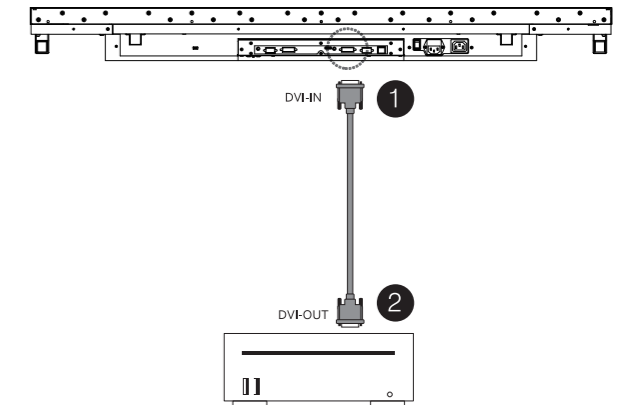
- Switch ON the power switch on back of display.



NOTE: The remote control only works when the mains switch is in the ON position.

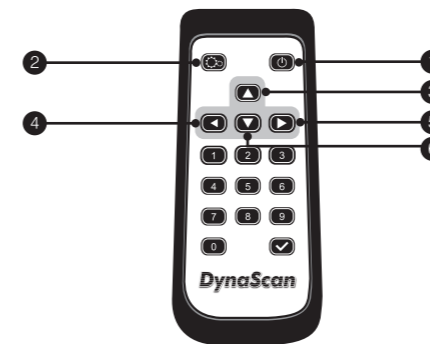
Connecting a Video Source

- Connect the DVI cable to the DVI-IN port on the back of the display.



- Connect the other end of the DVI cable to the DVI-OUT port of your video source device.

Using the Remote



ITEM	DESCRIPTION
1	POWER Power On / Off
2	MENU OSD On / Off
3	UP Move the cursor up or change the setting of the selected item
4	LEFT Exit the current selection
5	RIGHT Select the highlighted item
6	DOWN Move the cursor down or change the setting of the selected item

Aiming the Remote

