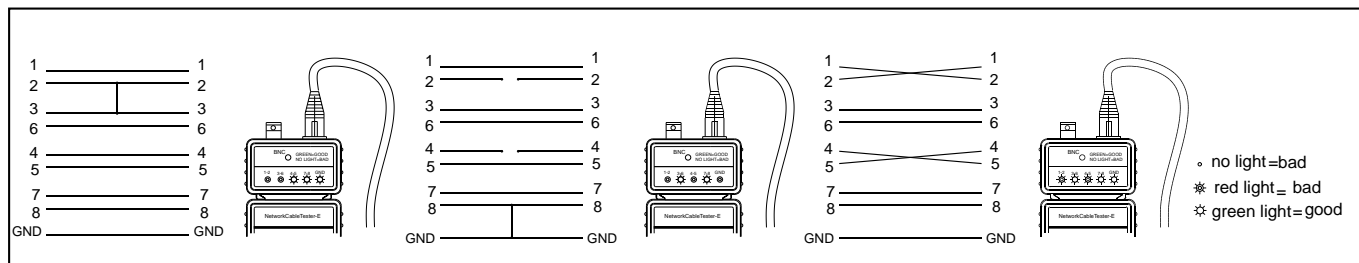


Network Cable Tester - E

Model No. 251450/E

The Network Cable Tester-E is designed to test quickly, the most popular cable wiring that uses twisted pairs, such as TIA568A/568B, Token Ring and 10/100BASE-T (STP/UTP). It will automatically test the cables once they are plugged into the master and remote unit. It will also test coaxial cables. It can test CAT 5 & 6 cables for shorts, miss wiring, reversed and ground by the following test procedures.



Continuity test:

Step 1. Install the 9V alkaline battery in the rear battery compartment.

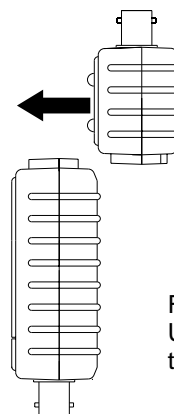
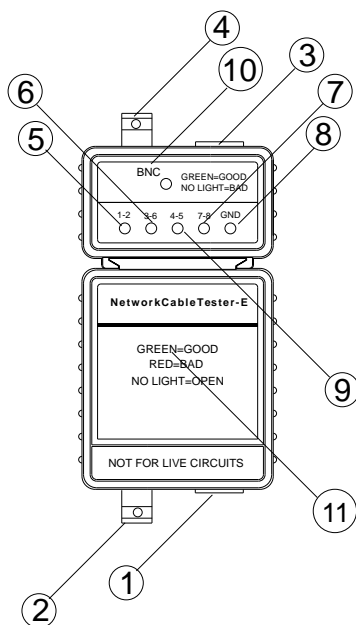
Step 2. Plug both ends of the RJ-45 or BNC cable into the sockets of the tester. One in the Master unit and the other into the remote unit

Step 3. After the cable is plugged into the tester, the LED's on the tester will turn either green, red or no light. Any LED'S not green show a fault on the twisted pair. A green light on the BNC cable means the cable is good while a no light means the cable is bad.

RJ-45 Fault Status Red :	Short, Reversed or Miss wire
RJ-45 Fault Status No Light :	Open
BNC Fault Status No Light :	Short Open

Any LED's displaying red or no lights mean the cable is miss-wired, open or shorted or reversed. Check the cable connections again and start the tests from Step 2.

- ① Master Unit RJ-45 socket
- ② Master Unit BNC
- ③ Remote Unit RJ-45 socket
- ④ Remote Unit BNC
- ⑤ Pair 1-2 good/bad LED
- ⑥ Pair 3-6 good/bad LED
- ⑦ Pair 4-5 good/bad LED
- ⑧ Pair 7-8 good/bad LED
- ⑨ Ground
- ⑩ Remote Unit
- ⑪ Master Unit



Features a Remote Unit that slides onto the Master Unit