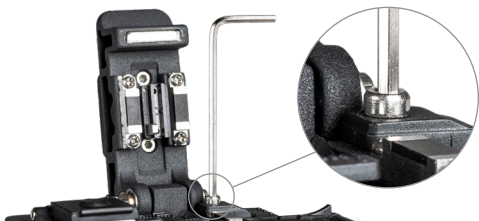


BLADE REPLACEMENT INSTRUCTIONS

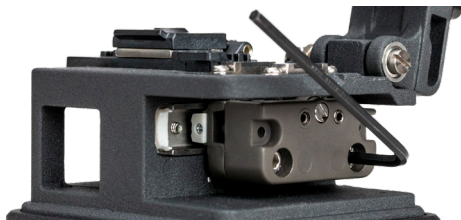
1. Open the Cover Plate, and using the 2.0mm hex key, remove the fiber Trash Can.



2. Align the Sliding Block so that the blade is centered between the fiber Grips and the two hex screws are exposed.



3. Loosen the hex screws near the blade and remove the plastic housing of the Cleaving Slider.
4. Using a 2.5mm hex key (not included), remove the two outer hex screws and remove the blade assembly.



5. Pop the blade out of the assembly and replace it with a new one.



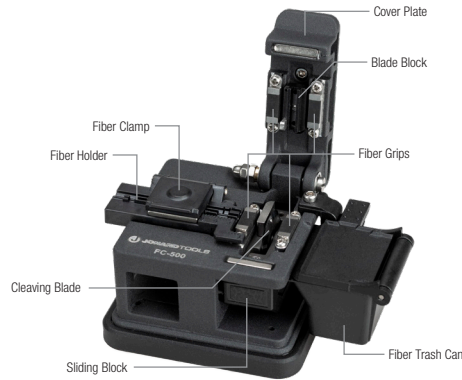
6. Make sure that the orientation of the blade is correct (numbers facing down, position 1 at top) and reassemble the unit. You are now ready to use your FC-500 Fiber Cleaver!



**FC-500
FIBER CLEAVER INSTRUCTION MANUAL**

SAFETY & CONTENTS

Please read this instruction manual carefully before operation of this tool and save it for future reference. Store the FC-500 in a dry and dust-free environment. Do not store or use the FC-500 in high temperature places. Do not use excess force when using the fiber cleaver. Regularly clean any dirt on the Fiber Clamp with alcohol. Do not use acetone or another corrosive solvent when cleaning the Fiber Clamp. Consistently clean the fiber box and ensure no dust or oil dirties the slot.

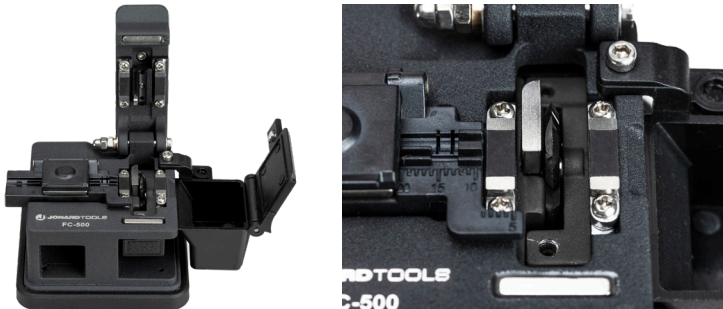


Product Model	FC-500
Includes	1.5mm & 2.0mm hex keys
Optical Fiber Cladding Diameter	125µm
Fiber Coating Diameter	0.25-0.9mm
Coated Outer Diameter	Single core
The length of bare fiber required before optical fiber cutting	Fiber cutting length $\geq 18\text{mm}$ ($\geq 0.7''$)
Fiber Cutting Length	5-20mm
Fiber Cutting Angle	$\leq 0.8^\circ$
Blade Life	48000 uses (3,000 per position)

OPERATING INSTRUCTIONS

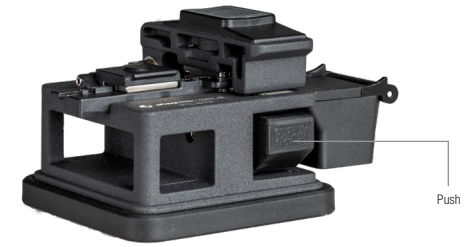
Before You Start - Make sure the fiber trash can is open and the Sliding Block is pushed forward.

1. Open the Fiber Clamp and Cover Plate and put bare fiber ($\geq 18\text{mm}$ or $\geq 0.7''$) into the Fiber Holder. Align the stripped jacket of the fiber with the ruler to cleave to specific lengths of fiber.



2. Position the fiber so that it is past the Cleaving Blade. Then, close the Fiber Clamp and Cover Plate to hold the fiber in place. Ensure the fiber is straight and even before cleaving.

3. Gently push the Sliding Block to the back of the unit only once to cleave the fiber.

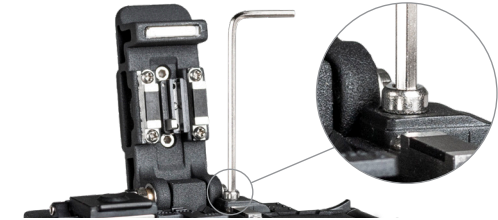


4. Open the Cover Plate and Fiber Clamp and remove the cleaved fiber. Do not allow the face of the fiber to contact any surface.
5. Close the Cover Plate, Fiber Clamp, and Fiber Trash Can. If the Trash Can is full, dispose of the contents carefully by tipping them into a separate fiber disposal container.

BLADE ADJUSTMENT INSTRUCTIONS

Before You Start - Make sure you have a precision flathead screwdriver on hand. Make sure you only adjust the blade when needed (after it has noticeably dulled).

1. Open the Cover Plate, and using the 2.0mm hex key, remove the Fiber Trash Can.



2. Using the 1.5mm hex key, loosen the two hex screws on the Sliding Cover.



3. Using your precision screwdriver, rotate the blade about a 1/4 of a turn so that the next number on the blade is visible. Blade can be used 3,000 times before needing to be rotated.



4. Tighten down the two hex keys on the Sliding Block and assemble the Fiber Trash Can to start using the FC-500 again.