

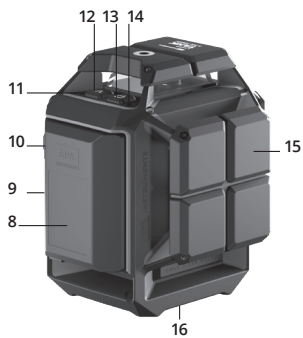
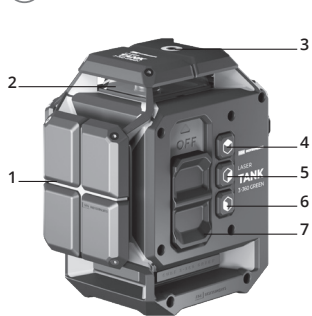


OPERATING MANUAL

LASERTANK 3-360 GREEN

Line laser

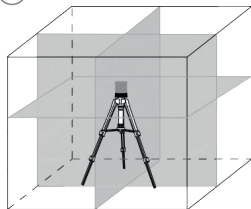
①



②



③



THE MANUFACTURE RESERVES THE RIGHT TO MAKE CHANGES (NOT HAVING AN IMPACT ON THE SPECIFICATIONS) TO THE DESIGN, COMPLETE SET WITHOUT GIVING PRIOR WARNING.

Line laser ADA LaserTANK 3-360 GREEN is designed to check the horizontal and vertical position of the surfaces of the elements of building structures and also to transfer the angle of inclination of the structural part to similar parts during construction and installation works.

SPECIFICATIONS

Laser beam	horizontal line 360°/ 2 vertical lines 360°
Light sources	3 laser diodes with laser emission wave length of 515 nm
Laser safety class	Class 2, <1mW
Accuracy	±3mm/10m
Self-leveling range	±4°
Operating range with/ without receiver*	230/130 ft (70/40 m)
Dust/water protection	IP 54
Power source of the tool	Li-ion battery 3.7 V / power supply 5 V
Power source of remote control	12 V (type A27)
Tripod thread	2 x 1/4"
Operating temperature	-10°C +50°C
Weight (with batteries)	690 g

*depends on illumination

FUNCTIONAL DESCRIPTION

- The device projects 2 vertical (simultaneously) and 1 horizontal line.
- Quick self-leveling: when line accuracy is out of the range the laser line flashes and the warning sound is produced.
- Pendulum locking system for safe transportation.
- Intermediate pendulum locking system for slope operation.
- Indoor and outdoor performance function.
- Remote mode

① FEATURES

1. Front vertical laser window
2. Horizontal laser window
3. Upper thread 1/4"
4. Horizontal laser beam (H) button
5. Side vertical (V) laser beam button
6. Front vertical (V) laser beam button
7. Pendulum switch (ON/OFF)
8. Removable battery
9. Power indication
10. Charger connector
11. Detector mode indicator
12. Detector mode
13. Slope mode
14. Slope mode indicator
15. Side vertical laser window
16. Bottom thread 1/4"

② REMOTE CONTROL

1. Side vertical (V) laser beam button
2. All laser lines On/Off button
3. Horizontal (H) laser line On/Off button
4. Front vertical (V) laser line button

③ LASER LINES

Laser lines scheme is shown in the picture

SAFETY INSTRUCTIONS

- Please follow up instructions given in operating manual.
- Do not stare into beam. Laser beam can lead to eye injury (even from greater distances).
- The laser line should be set up so that the beam path is not at normal eye level.
- Use the instrument for measuring jobs only.
- Do not open instrument housing. Repairs should be carried out by authorized workshops only. Please contact your local dealer.
- Do not remove warning labels or safety instructions.
- Keep instrument away from children.
- Do not use instrument in explosive environment.

PREPARATION BEFORE OPERATION

1. Check the battery power before operation: press button (9) near the battery power indicator. The quantity of flashing bars shows the power level. All bars are flashing when the battery is fully charged. If the bars do not flash or only few bars are flashing, charge the battery or replace (if available) the battery.
2. To change the battery, press the latch on the bottom part of the battery and gently pull the case to remove it. Place a fully charged battery instead of the lower power battery. When installing, gently press down on the battery

housing until the latch clicks into place. Before installation, check the battery charge using the indicator.

3. To charge the battery, use the charger which is supplied with the tool (if available) or a charger with a maximum output voltage of 5 V and a USB-C connector. To connect the charger, use the connector on the battery (10). Gently pull the rubber cap. The cap is attached to the battery housing with one edge. Don't tear it off! Check the battery power with the indicator.

4. If you do not use the line laser for a long time (more than 24 hours), disconnect the battery. Otherwise the battery may be discharged below the permissible voltage. This may result in battery failure.

WARNING: Do not leave the tool (battery) unattended while using charger. Parameters of the charger must correspond to the parameters of domestic electricity. Output voltage must be no more than 5V. Do not disassemble or heat the battery.

OPERATION

1. Set the pendulum switch (7) down to the (ON) position. Upper horizontal line is ON. If the switch is in the (ON) position, the line laser is switched on and a pendulum in a free position (is unlocked). The position of the pendulum switch (8) (OFF) means that the line laser is switched off and the pendulum is locked. If the line laser is set beyond the self-leveling range, an audible signal will sound, the laser lines and the indicator (14) will blink 1 time per second.

2. Laser beams can be turned on and off separately. To save battery power, turn on only the laser beams that are necessary for operation.

- press button (4) once – horizontal laser beam is ON. Press button (4) once again – horizontal laser beam is OFF.
- press button (5) once – side vertical laser beam is ON. Press button (5) once again – side vertical laser line is OFF.
- press button (6) once – front vertical laser line is ON. Press button (6) once again - front vertical laser line is OFF.

3. The slope mode is activated when the pendulum is locked. Set the pendulum switch (7) up to the (OFF) position. Press and hold button (13) for 2 sec to activate a slope mode (upper horizontal laser line is ON, indicator is ON, all switched on laser lines will blink one time per sec.). The tool can be installed at any angle. Switch On/Off laser lines with the laser line buttons. Press button (13) to switch off a slope mode. Indicator (14) will be switched off.

4. Press button (12) once. Detector mode is activated. Indicator (11) is ON. Use a detector for operation in this mode. Follow an operating manual to use the detector. Press button (12) to switch OFF the detector mode. Indicator (11) is OFF.

5. Attach the line laser to the tripod with the help of the thread 1/4" on the upper or bottom part of the tool.

USING THE REMOTE CONTROL

1. To control the functions of the device, the remote control must be paired with the device. If the remote control does not control the instrument functions, follow these steps:

- Be sure that the battery is full. If necessary, change it into new one: unscrew the screws on the back cover of the remote and remove it. Place new battery, observe the polarity. Screw the cover with the screws. If you cannot replace the battery yourself, contact the nearest service center.
 - To connect the remote control to the device, unlock the pendulum: move the pendulum switch (8) to the (ON) position. Press and hold button (13) for more than 2 sec. Indicator (12) starts blinking frequently. Press On/Off (2) button on the remote control. Indicator (12) will be switched off/ The remote will be connected to the line laser.
2. Use the remote control to switch on/off laser lines:
- Press button (2) once – all laser beams on will be turned off. Press button (2) once again – all laser beams that worked before turning

off will turn on.

- Press button (3) once – horizontal laser line will be switched ON.
- Press button (3) once again – horizontal laser beam will be OFF.
- Press button (1) once– side vertical laser beam will be switched ON.
- Press button (1) once again - side vertical laser beam will be switched OFF.
- Press button (4) once – front vertical laser beam will be switched ON.
- Press button (4) once again - front vertical laser beam will be switched OFF.

TO CHECK THE ACCURACY OF LINE LASER

TO CHECK THE HORIZONTAL LASER LINE

Place the line laser on the tripod 10 m away from the wall so the horizontal laser line will be directed to the wall. Switch on the power. The line laser starts to self-level. Mark point A on the wall to show the contact of laser beam with the wall. Turn the line laser by 90° and mark points B, C, D on the wall. Measure distance “h” between the highest and lowest points. If “h” is ≤ 6 mm, the measurement accuracy is good. If “h” exceeds 6 mm, apply service center. Repeat these actions to check the horizontal laser line. Test results apply only to the tested beam.

TO CHECK PLUMB

Choose a wall and set laser 5m away from the wall. Hang a plumb with the cord about 2,5 m long on the wall. Switch ON the line laser and direct the vertical line to the plumb with the cord. The accuracy of the line is within acceptable limits if the deviation of the vertical line (up or down) does not exceed half the value of the “accuracy” characteristic (+/-3mm per 10m). If the accuracy of the line laser does not correspond to the declared one, it is necessary to contact an authorized service center.

Note: Due to the design of the laser emitter, discontinuity and different brightness intensity of the laser beam around the perimeter in different

lighting conditions are allowed. Discontinuity of the laser beam: laser glare, but the middle of the beam is determined. Different laser beam brightness: up to 50% intensity difference.

PRODUCT LIFE

Product life of the tool is 5 years. Dispose of the device and its batteries separately from household waste. **Date of production, manufacturer's contact information, country of origin are indicated on the product sticker.**

CARE AND CLEANING

Please handle line laser with care. Clean with soft cloth only after any use. If necessary damp cloth with some water. If instrument is wet clean and dry it carefully. Pack it up only if it is perfectly dry. Transport in original container/case only.

Note: During transport On/Off pendulum lock (8) must be set to position "OFF". Disregard may lead to damage of pendulum.

SPECIFIC REASONS FOR ERRONEOUS MEASURING RESULTS

- Measurements through glass or plastic windows;
- Dirty laser emitting window;
- After instrument has been dropped or hit. Please check the accuracy.
- Large fluctuation of temperature: if instrument will be used in cold areas after it has been stored in warm areas (or the other way round) please wait some minutes before carrying out measurements.

ELECTROMAGNETIC ACCEPTABILITY (EMC)

- It cannot be completely excluded that this instrument will disturb other instruments (e.g. navigation systems);

- will be disturbed by other instruments (e.g. intensive electromagnetic radiation nearby industrial facilities or radio transmitters).

LASER CLASS 2 WARNING LABELS ON THE LASER INSTRUMENT LASER CLASSIFICATION

The instrument is a laser class 2 laser product according to DIN IEC 60825-1:2014. It is allowed to use unit without further safety precautions.

WARRANTY

This product is warranted by the manufacturer to the original purchaser to be free from defects in material and workmanship under normal use for a period of two (2) years from the date of purchase. During the warranty period, and upon proof of purchase, the product will be repaired or replaced (with the same or similar model at manufacturer's option), without charge for either parts or labour.

In case of a defect please contact the dealer where you originally purchased this product. The warranty will not apply to this product if it has been misused, abused or altered. Without limiting the foregoing, leakage of the battery, bending or dropping the unit are presumed to be defects resulting from misuse or abuse.

EXCEPTIONS FROM RESPONSIBILITY

- The user of this product is expected to follow the instructions given in operators' manual.
- Although all instruments left our warehouse in perfect condition and adjustment the user is expected to carry out periodic checks of the product's accuracy and general performance.
- The manufacturer, or its representatives, assumes no responsibility of results of a faulty or intentional usage or misuse including any direct, indirect, consequential damage, and loss of profits.
- The manufacturer, or its representatives, assumes no responsibility for consequential damage, and loss of profits by any disaster (earthquake, storm, flood ...), fire, accident, or an act of a third party and/or a usage in other than usual conditions.
- The manufacturer, or its representatives, assumes no responsibility for any damage, and loss of profits due to a change of data, loss of data and interruption of business etc., caused by using the product or an unusable product.
- The manufacturer, or its representatives, assumes no responsibility for any damage, and loss of profits caused by usage other than explained in the users' manual.
- The manufacturer, or its representatives, assumes no responsibility for damage caused by wrong movement or action due to connecting with other products.

WARRANTY DOESN'T EXTEND TO FOLLOWING CASES:

1. If the standard or serial product number will be changed, erased, removed or will be unreadable.
2. Periodic maintenance, repair or changing parts as a result of their normal runout.
3. All adaptations and modifications with the purpose of improvement and expansion of normal sphere of product application, mentioned in the service instruction, without tentative written agreement of the expert provider.
4. Service by anyone other than an authorized service center.
5. Damage to products or parts caused by misuse, including, without limitation, misapplication or negligence of the terms of service instruction.
6. Power supply units, chargers, accessories, wearing parts.
7. Products, damaged from mishandling, faulty adjustment, maintenance with low-quality and non-standard materials, presence of any liquids and foreign objects inside the product.
8. Acts of God and/or actions of third persons.
9. In case of unwarranted repair till the end of warranty period because of damages during the operation of the product, it's transportation and storing, warranty doesn't resume.

WARRANTY CARD

Name and model of the product _____

Serial number _____ Date of sale _____

Name of commercial organization _____

stamp of commercial organization

Warranty period for the instrument exploitation is 24 months after the date of original retail purchase.

During this warranty period the owner of the product has the right for free repair of his instrument in case of manufacturing defects.

Warranty is valid only with original warranty card, fully and clear filled (stamp or mark of the seller is obligatory).

Technical examination of instruments for fault identification which is under the warranty, is made only in the authorized service center.

In no event shall manufacturer be liable before the client for direct or consequential damages, loss of profit or any other damage which occur in the result of the instrument outage.

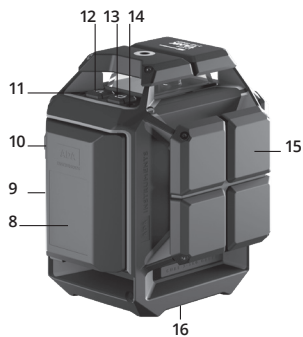
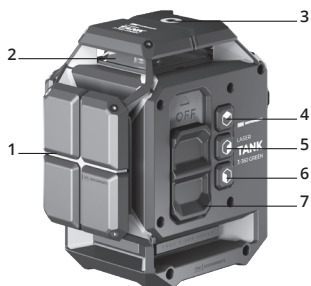
The product is received in the state of operability, without any visible damages, in full completeness. It is tested in my presence. I have no complaints to the product quality. I am familiar with the conditions of warranty service and I agree.

purchaser signature _____

Before operating you should read service instruction!

If you have any questions about the warranty service and technical support contact seller of this product

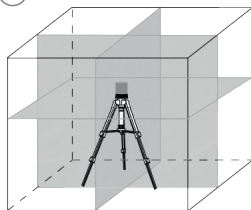
①



②



③



ПРОИЗВОДИТЕЛЬ ОСТАВЛЯЕТ ЗА СОБОЙ ПРАВО ВНОСИТЬ ИЗМЕНЕНИЯ, НЕ ВЛИЯЮЩИЕ НА ТЕХНИЧЕСКИЕ ХАРАКТЕРИСТИКИ В КОНСТРУКЦИЮ, ВНЕШНИЙ ВИД И КОМПЛЕКТАЦИЮ БЕЗ УВЕДОМЛЕНИЯ .

Лазерный уровень ADA LaserTANK 3-360 GREEN предназначен для проверки горизонтальности и вертикальности расположения поверхностей элементов строительных конструкций, а так же для переноса угла наклона детали конструкции на аналогичные детали при производстве строительно-монтажных работ.

ТЕХНИЧЕСКИЕ ДАННЫЕ

Лазерный луч	горизонтальная линия 360°/ 2 вертикальные линии 360°
Лазерные излучатели	3 лазерных диода с длинной волны лазерного излучения 515 nm
Класс лазера	Класс 2, <1мВт
Точность	±3мм/10м
Диапазон самовыравнивания	±4°
Рабочий диапазон (с приемником/без приемника)*	70/40 м
Степень защиты	IP 54
Источник питания прибора	Li-ion аккумулятор 3.7 В / блок питания 5В
Источник питания пульта ДУ	12В (тип А27)
Резьба под штатив	2x1/4"
Рабочий диапазон температур	-10°C +50°C
Вес (с батареей)	690 гр

*зависит от освещения

ФУНКЦИОНАЛЬНЫЕ ХАРАКТЕРИСТИКИ ПРИБОРА

- Прибор излучает 2 вертикальные (одновременно) и горизонтальную линию.
- Быстрое самовыравнивание: лазерный луч мигает и подается предупредительный звуковой сигнал, когда лазерный уровень отклонен на угол, выходящий за диапазон выравнивания.
- Блокировка маятника для безопасной транспортировки.
- Блокировка маятника для работы под наклоном.
- Функция работы внутри помещения / на улице.
- Управление функциями с пульта дистанционного управления

1

СВОЙСТВА

1. Окно фронтального вертикального излучателя
2. Окно горизонтального излучателя
3. Верхняя резьба 1/4"
4. Кнопка включения горизонтального (H) лазерного луча
5. Кнопка включения бокового вертикального (V) лазерного луча
6. Кнопка включения фронтального вертикального (V) лазерного луча
7. Ручка блокировки маятника (ON/OFF)
8. Съёмный аккумулятор
9. Индикатор заряда аккумулятора
10. Разъем для подключения зарядного устройства
11. Индикатор включения режима работы с детектором
12. Кнопка включения режима работы с детектором
13. Кнопка включения режима работы под наклоном
14. Индикатор включения режима работы под наклоном
15. Окно бокового вертикального излучателя
16. Нижняя резьба 1/4"

2 ПУЛЬТ ДИСТАНЦИОННОГО УПРАВЛЕНИЯ

1. Кнопка включения бокового вертикального (V) лазерного луча
2. Кнопка включения/выключения всех лучей
3. Кнопка включения/выключения горизонтального (H) лазерного луча
4. Кнопка включения фронтального вертикального (V) лазерного луча

3 ЛАЗЕРНЫЕ ЛИНИИ

Схема проецируемых лазерных линий представлена на рисунке.

ИНСТРУКЦИЯ ПО БЕЗОПАСНОСТИ

- Пожалуйста, следуйте инструкциям, которые даны в руководстве пользователей.
- Не смотрите на лазерный луч. Лазерный луч может повредить глаза, даже если вы смотрите на него с большого расстояния.
- Не направляйте лазерный луч на людей или животных.
- Используйте лазерный уровень только для замеров.
- Не вскрывайте лазерный уровень. Ремонт должен производиться только авторизованной мастерской. Пожалуйста, свяжитесь с вашим местным дилером. Не выкидывайте предупредительные этикетки или инструкции по безопасности.
- Держите лазерный уровень в недоступном для детей месте.
- Не используйте лазерный уровень вблизи взрывоопасных веществ.

ПОДГОТОВКА К ИСПОЛЬЗОВАНИЮ ЛАЗЕРНОГО УРОВНЯ

1. Перед использованием проверьте заряд аккумулятора. Для этого нажмите кнопку возле индикатора заряда аккумулятора (9). Количество светящихся сегментов индикатора показывает уровень заряда

аккумулятора. При полностью заряженном аккумуляторе все сегменты индикатора светятся. Если сегменты не светятся или их мало зарядите или смените аккумулятор (при наличии).

2. Для смены аккумулятора нажмите на защелку в нижней части аккумулятора и аккуратно потяните за корпус чтобы его извлечь. Установите заряженный аккумулятор взамен использованного. При установке аккуратно надавите на корпус аккумулятора до щелчка защелки. Перед установкой проверьте заряд аккумулятора с помощью индикатора.

3. Для заряда аккумулятора используйте зарядное устройство из комплекта (при наличии) или зарядное устройство с выходным напряжением не более 5 В и разъемом USB-C. Для подключения зарядного устройства используйте разъем на аккумуляторе (10). Для подключения аккуратно потяните резиновую заглушку. Заглушка одним краем прикреплена к корпусу аккумулятора. Не отрывайте ее! Проверяйте заряд аккумулятора с помощью индикатора.

4. При длительном перерыве использования лазерного уровня (более 24 часов), отсоедините аккумулятор. Подключенный к лазерному уровню аккумулятор при длительном перерыве в использовании может разрядиться ниже допустимого напряжения. Это может привести к выходу аккумулятора из строя.

ВНИМАНИЕ! При подключении зарядного устройства не оставляйте лазерный уровень (аккумулятор) без присмотра. Параметры зарядного устройства должны соответствовать параметрам бытовой электросети и иметь выходное напряжение не более 5 В. Не разбирайте и не нагревайте аккумулятор.

ИСПОЛЬЗОВАНИЕ ЛАЗЕРНОГО УРОВНЯ

1. Установите ручку блокировки маятника (7) вниз, в положение (ON). Верхний горизонтальный луч включится. Если ручка находится в по-

ложении (ON) - лазерный уровень включен и маятник в свободном положении. Положение ручки блокировки маятника (8) (OFF) означает, что лазерный уровень выключен и маятник заблокирован. Если лазерный уровень установлен с превышением диапазона самовыравнивания зазвучит звуковой сигнал, лазерные линии и индикатор (14) будут моргать 1 раз в секунду.

2. Лазерные лучи можно включать и выключать отдельно. Для экономии заряда батарей включайте только необходимые для работы лазерные лучи.

- нажмите на кнопку (4) один раз — включится горизонтальный луч. Нажмите кнопку (4) еще раз – выключится горизонтальный луч.
- нажмите на кнопку (5) один раз - включатся боковой вертикальный лазерный луч. Нажмите кнопку (5) еще раз – выключится боковой вертикальный луч.
- нажмите на кнопку (6) один раз - включатся фронтальный вертикальный лазерный луч. Нажмите кнопку (6) еще раз – выключится фронтальный вертикальный луч.

3. Режим работы под наклоном работает только при зафиксированном маятнике. Установите ручку блокировки маятника (7) вверх, в положение (OFF). Нажмите и удерживайте 2 секунды кнопку (13) что бы включить режим работы под наклоном (включится верхний горизонтальный луч, загорится индикатор кнопки, один раз в 7 секунд все включенные лазерные лучи будут моргать). Прибор можно устанавливать под любым углом. Включите/выключите лучи используя кнопки включения лазерных лучей. Для выключения режим работы под наклоном нажмите кнопку (13) - погаснет индикатор (14).

4. Нажмите один раз кнопку (12). Лазерный уровень начнет работать в режиме работы с приемником - загорится индикатор (11). Для работы в этом режиме используйте приемник лазерного луча. Используйте приемник согласно его инструкции по применению. Для выключения режима работы с приемником нажмите еще раз кнопку (12) – погаснет

индикатор (11).

5. Для крепления лазерного уровня на штативе или креплении используйте резьбу 1/4" сверху и снизу на корпусе уровня.

ИСПОЛЬЗОВАНИЕ ПУЛЬТА ДИСТАНЦИОННОГО УПРАВЛЕНИЯ

1. Для управления функциями прибора пульт дистанционного управления должен быть привязан к устройству. Если пульт не управляет функциями прибора, выполните следующие действия:

- убедитесь, что элемент питания пульта свежий. При необходимости замените его на новый. Для замены элемента питания необходимо выкрутить три винта на задней крышке пульта и снять ее. Установите новый элемент питания, соблюдая полярность. Установите заднюю крышку пульта и закрепите ее винтами. Если Вы не можете выполнить замену элемента питания самостоятельно, обратитесь в ближайший сервисный центр.
- для привязки пульта к устройству разблокируйте маятник: установите ручку блокировки маятника (8) вниз, в положение (ON). Нажмите и удерживайте более 2 секунд кнопку включения режима работы с детектором (13). Индикатор (12) начнет часто моргать. Нажмите на пульте кнопку включения/выключения (2). Индикатор (12) погаснет, пульт будет привязан к лазерному уровню.

2. Для включения/выключения лазерных линий используйте дистанционный пульт:

- нажмите на кнопку (2) один раз – все включенные лучи выключатся. Нажмите на кнопку (2) еще раз – включатся все лучи которые работали до выключения.
- нажмите на кнопку (3) один раз — включится горизонтальный луч. Нажмите кнопку (3) еще раз – выключится горизонтальный луч.
- нажмите на кнопку (1) один раз - включатся боковой вертикальный лазерный луч. Нажмите кнопку (1) еще раз – выключится боковой вертикальный луч.

- нажмите на кнопку (4) один раз - включатся фронтальный вертикальный лазерный луч. Нажмите кнопку (4) еще раз – выключится фронтальный вертикальный луч.

ПРОВЕРКА ТОЧНОСТИ ЛАЗЕРНОГО УРОВНЯ ПРОВЕРКА ТОЧНОСТИ ГОРИЗОНТАЛЬНОГО ЛУЧА

Установите лазерный уровень на штатив в 10 метрах от стены так, чтобы горизонтальный лазерный луч был направлен к стене. Включите питание и дождитесь завершения процесса самовыравнивания. Пометьте на стене буквой А точку соприкосновения лазерного луча со стеной. Поворачивая лазерный уровень на 90° соответствующим образом, пометьте на стене точки В, С, D. Измерьте расстояние "h" между высшей и низшей точками. Если $h \leq 6$ мм, то точность измерений хорошая. Если "h" превышает 6 мм, обратитесь в сервисный центр. Для проверки второго горизонтального луча повторите действия. Результаты проверки относятся только к проверяемому лучу.

ПРОВЕРКА ТОЧНОСТИ ВЕРТИКАЛЬНОГО ЛУЧА

Установить лазерный уровень на расстоянии приблизительно 5м от стены. Укрепить на стене отвес со шнуром длиной около 2,5м. Включите лазерный уровень и направьте вертикальную линию на отвес со шнуром. Точность линии находится в допустимых пределах, если отклонение вертикальной линии (сверху или снизу) не превышает половину значения характеристики „точность“ (+/-3мм на 10м). Если точность лазерного уровня не соответствует заявленной, необходимо обратиться в авторизованный сервисный центр.

Примечание: Из-за особенности конструкции лазерного излучателя допускается неоднородность и различная интенсивность яркости лазерного луча по периметру в различных условиях освещенности. Неоднородность лазерного луча: лазерные блики, но середина луча определяется. Различная яркость лазерного луча: отличие интенсивности до 50%.

СРОК СЛУЖБЫ ИЗДЕЛИЯ

Срок службы изделия составляет 5 лет. Утилизация устройства и его батарей выполняется отдельно от бытового мусора. **Дата изготовления, контактная информация о производителе, страна происхождения указаны на стикере изделия.**

УХОД ЗА УСТРОЙСТВОМ

- пожалуйста, бережно обращайтесь с лазерным уровнем. Лазерный уровень - точный лазерный уровень, который должен храниться и использоваться с осторожностью.
- беречь от тряски и вибраций! При транспортировке обязательно блокируйте маятник.
- при загрязнении протирайте лазерный уровень мягкой тряпкой. При необходимости смочите тряпку водой. Не используйте абразивные чистящие вещества или растворители.
- если лазерный уровень влажный, осторожно вытрите его на сухо.
- не храните лазерный уровень при температурах ниже - 10° С и выше 50° С, в противном случае лазерный уровень может выйти из строя.
- регулярно проверяйте настройку лазерного уровня.

ВОЗМОЖНЫЕ ПРИЧИНЫ ОШИБОЧНЫХ РЕЗУЛЬТАТОВ ИЗМЕРЕНИЙ

- измерения проводятся через стеклянное или пластиковое окно;
- загрязнен лазерный излучатель;
- если лазерный уровень уронили или ударили. В этом случае проверьте точность. При необходимости обратитесь в авторизованный сервисный центр.
- сильные колебания температуры: если после хранения в тепле лазерный уровень используется при низкой температуре. В этом случае подождите несколько минут, перед тем как начать работать.

ЭЛЕКТРОМАГНИТНАЯ СОВМЕСТИМОСТЬ (ЕМС)

- не исключено, что работа лазерного уровня может повлиять на работу других устройств (например, системы навигации);
- на работу лазерного уровня электромагнитное излучение от промышленного оборудования или радиоприборов).

ПРЕДУПРЕДИТЕЛЬНЫЕ НАКЛЕЙКИ ЛАЗЕРА КЛАССА 2 КЛАССИФИКАЦИЯ ЛАЗЕРА

Данный лазерный уровень является лазером класса 2 в соответствии с DIN IEC 60825-1:2014, что позволяет использовать устройство, выполняя меры предосторожности.

ГАРАНТИЯ

Производитель предоставляет гарантию на продукцию покупателю в случае дефектов материала или качества его изготовления во время использования оборудования с соблюдением инструкции пользователя на срок 2 года со дня покупки. Во время гарантийного срока, при предъявлении доказательства покупки, прибор будет починен или заменен на такую же или аналогичную модель бесплатно. Гарантийные обязательства также распространяются и на запасные части. В случае дефекта, пожалуйста, свяжитесь с дилером, у которого вы приобрели прибор. Гарантия не распространяется на продукт, если повреждения возникли в результате деформации, неправильного использования или ненадлежащего обращения.

Все вышеизложенные безо всяких ограничений причины, а также утечка батареи, деформация прибора являются дефектами, которые возникли в результате неправильного использования или плохого обращения.

ОСВОБОЖДЕНИЕ ОТ ОТВЕТСТВЕННОСТИ

Пользователю данного продукта необходимо следовать инструкциям, которые приведены в руководстве по эксплуатации. Даже, несмотря на то, что все приборы проверены производителем, пользователь должен проверять точность прибора и его работу.

Производитель или его представители не несут ответственности за прямые или косвенные убытки, упущенную выгоду или иной ущерб, возникший в результате неправильного обращения с прибором.

Производитель или его представители не несут ответственности за косвенные убытки, упущенную выгоду, возникшие в результате катастроф (землетрясение, шторм, наводнение и т.д.), пожара, несчастных случаев, действия третьих лиц и/или использование прибора в необычных условиях.

Производитель или его представители не несут ответственности за косвенные убытки, упущенную выгоду, возникшие в результате изменения данных, потери данных и временной приостановки бизнеса и т.д., вызванных применением прибора.

Производитель или его представители не несут ответственности за косвенные убытки, упущенную выгоду, возникшие в результате использования прибора не по инструкции.

ГАРАНТИЙНЫЕ ОБЯЗАТЕЛЬСТВА НЕ РАСПРОСТРАНЯЮТСЯ НА СЛЕДУЮЩИЕ СЛУЧАИ:

1. Если будет изменен, стерт, удален или будет неразборчив типовой или серийный номер на изделии;
2. Периодическое обслуживание и ремонт или замену запчастей в связи с их нормальным износом;
3. Любые адаптации и изменения с целью усовершенствования и расширения обычной сферы применения изделия, указанной в инструкции по эксплуатации, без предварительного письменного соглашения специалиста поставщика;
4. Ремонт или разборка, произведенная самостоятельно или не уполномоченным на то сервисным центром;
5. Ущерб в результате неправильной эксплуатации, включая, но не ограничиваясь этим, следующее: использование изделия не по назначению или не в соответствии с инструкцией по эксплуатации на прибор;
6. На элементы питания, зарядные устройства, комплектующие, быстроснашиваемые и запасные части;
7. Изделия, поврежденные в результате небрежного отношения, неправильной регулировки, ненадлежащего технического обслуживания с применением некачественных и нестандартных расходных материалов, попадания жидкостей и посторонних предметов внутрь.
8. Воздействие факторов непреодолимой силы и/или действие третьих лиц;
9. В случае не гарантийного ремонта прибора до окончания гарантийного срока, произошедшего по причине полученных повреждений в ходе эксплуатации, транспортировки или хранения, и не возобновляется.

ГАРАНТИЙНЫЙ ТАЛОН

Наименование изделия и модель _____

Серийный номер _____ Дата продажи _____

Наименование торговой организации _____

Штамп торговой организации мп.

Гарантийный срок эксплуатации приборов составляет 24 месяца со дня продажи. В течении гарантийного срока владелец имеет право на бесплатный ремонт изделия по неисправностям, являющимся следствием производственных дефектов.

Гарантийные обязательства действительны только по предъявлении оригинального талона, заполненного полностью и четко (наличие печати и штампа с наименованием и формой собственности продавца обязательно). Техническое освидетельствование приборов (дефектация) на предмет установления гарантийного случая производится только в авторизованной мастерской.

Производитель не несет ответственности перед клиентом за прямые или косвенные убытки, упущенную выгоду или иной ущерб, возникшие в результате выхода из строя приобретенного оборудования. Правовой основой настоящих гарантийных обязательств является действующее законодательство, в частности, Федеральный закон РФ "О защите прав потребителя" и Гражданский кодекс РФ ч. II ст. 454-491. Товар получен в исправном состоянии, без видимых повреждений, в полной комплектности, проверен в моем присутствии, претензий по качеству товара не имею. С условиями гарантийного обслуживания ознакомлен и согласен.

Подпись получателя _____

Перед началом эксплуатации внимательно ознакомьтесь с инструкцией по эксплуатации!

По вопросам гарантийного обслуживания и технической поддержки обращаться к продавцу данного товара