



86mm LED Tower Light - Plastic body (LED Lamp replacement type)

USER MANUAL

Congratulations on your decision to purchase a Menics product. Before operation, read and comprehend its contents for correct and safe use. Do not discard this User Manual. Keep it readily available for reference during use or when performing any service related function.

Safety Caution

- Always observe rules of "Safety Caution" for safe and correct use of products and for prevention of accident or danger.
- "Safety Caution" is divided into two categories, i.e., 'caution' and 'warning', details of which read as below.

Warning Possibilities where incorrect use or violation of instructions may result in serious personal injury or even death.

Caution Possibilities where incorrect use or violation of instructions may result in minor personal injury.

The meaning of the picture symbols used in the product and User manual are as follows. **A** is the sign meaning attention needs to be paid because there is the concern of risk occurrence under certain condition.

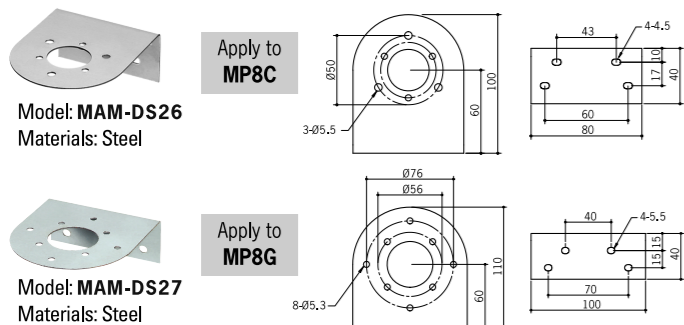
Warning

- Always attach a dual safety device on life or property-affecting devices (e.g., atomic control, medical devices, automotive vehicles, railway vehicles, airplanes, combustion devices, amusement devices or safety devices) before use. (Fire, personal injury, serious property loss may occur.)
- Do not disassemble or alter the product. Contact us for service related functions including inner inspection and repair. (Fire, electrocution and product damage may occur.)
- Avoid wiring, inspecting and repairing while power is being supplied. (Electrocution may occur.)
- Always use rated input voltage, and use a standard electric cord for each product. (Fire and electrocution may occur.)
- Always check if an electric connection is proper before applying a power source. (Fire, electrocution and product damage may occur.)
- Avoid using an excessive electricity higher than rated voltage. (Fire and product damage may occur.)
- Avoid using the product outdoors, at explosion-prone places, at places near inflammable substances, water, combustible substances and vibration. (Fire, electrocution and personal injury may occur.)

Caution

- Do not disassemble, repair, or modify the product, otherwise severe accidents may result, such as electric shocks, damage, fire, or malfunction.
- Do not pull out or push in the cable of the product, otherwise damage may result. Give slack to the cable while wiring.
- Turn off the power to the product before mounting, dismounting, wiring, and assembling the LED unit. Make sure of correct wiring, otherwise electric shocks or fire may result.
- Do not place obstacles obstructing ventilation near product. (Product damage or product deformation may occur due to heat.)
- In case abnormality happens to the product, unplug the input power connection immediately. (There is the danger of fire or product damage.)
- Avoid using at a place of high vibration level. (Product damage may occur.)
- Avoid using water or detergent when cleaning, and clean with dry cloth. (Electrocution may occur.)

Accessory parts (wall mounting bracket) (Unit: mm)



MENICS
SIGNALTECHNOLOGY

Description

- Replaceable LED module by colors
- Use long-life High-brightness LED
- Excellent visibility in any direction, any distance
- Apply 100dB buzzer

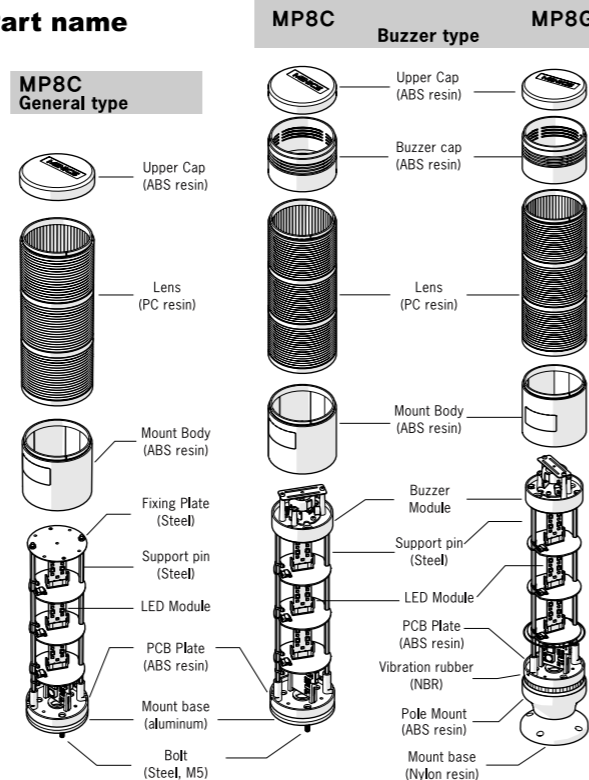
1. Ordering Information

MP8C - F 3 0 0 - R Y G - B

① ② ③ ④ ⑤ ⑥

1. Mounting type		4. Power Supply	
C	Body direct mounting	00	12~24V AC/DC
G	Plastic mount base	FF	90~240V AC
2. Light style		5. Lens Color (Top to bottom)	
No mark	Steady	R	Red
F	Steady + Flashing light	Y	Yellow
B	Steady + Flashing + Buzzer	C	Clear
		G	Green
3. Number of stacks		6. Body Color (Option)	
1	1 Stack	B	Black
2	2 Stacks	*The main body color: Basic colors	
3	3 Stacks		
4	4 Stacks		
5	5 Stacks		

2. Part name



Replaceable LED PCB Lamp

- Available 5 colors Red/Yellow/Green/Blue/White
- Each LED module can be used by each socket base in common.

Red LED:	M8-12V-R
Yellow LED:	M8-12V-Y
Green LED:	M8-12V-G
Blue LED:	M8-12V-B
White LED:	M8-12V-W

* Input Power: DC 12V
* Current : 100mA±10%

3. Specification

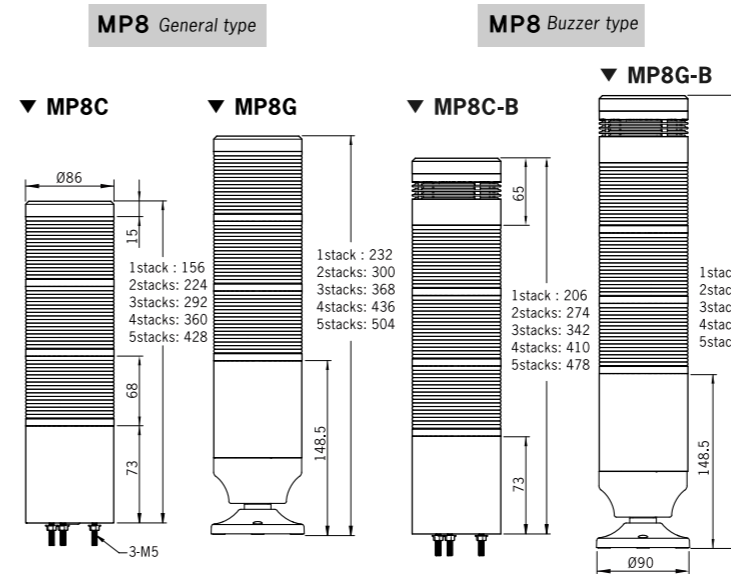
Functions	Steady, Flashing, Buzzer
Power supply	12~24VAC/DC 90~240VAC (50/60Hz)
Dimension	86 mm
Stacks	1 ~ 5 can be stacked
Lens color	Red, Yellow, Green, bulb, Clear - Materials: PC resin
Flashing Rate	80times/minute (±10%)
Buzzer volume	Adjustable sound: 10~100±5dB (at 1m)
Ambient Temperature	-15°C ~ 40°C
Storage ambient temperature	-20°C ~ 70°C
Ambient Humidity	45 ~ 85% RH
Dielectric strength	1000V AC 50/60Hz for 1min
Insulation resistance	100MΩ minimum (500V DC megger)
Vibration	Operating extremes: 10 to 55Hz, amplitude 0.75mm
Approval	RoHS
Protection structure	IP65 / IP40(with Buzzer)
Wire size	1007 UL / 22AWG

Current consumption (±10%)

Power supply		1stack	2stacks	3stacks	4stacks	5stacks
12~24V	General	0.15A	0.30A	0.40A	0.50A	0.60A
	Buzzer	0.17A	0.32A	0.42A	0.52A	0.62A
90~240V	General	0.02A	0.04A	0.05A	0.06A	0.07A
	Buzzer	0.03A	0.04A	0.05A	0.06A	0.07A

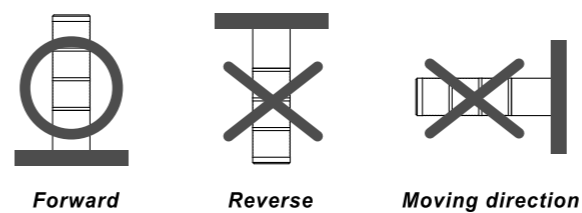
Note: Life of the LED varies according to operating conditions and environment.

4. Dimension (Unit:mm)



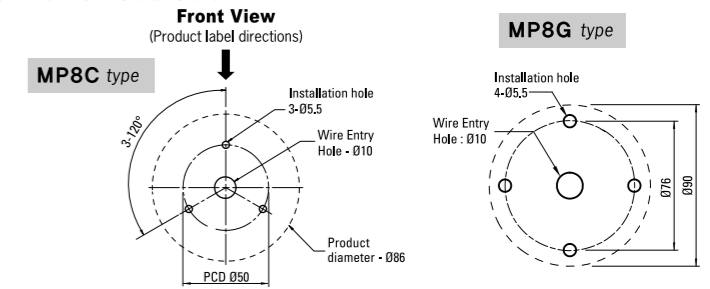
5. Product Installations

- This product has been manufactured with the structure of IP65.
- When it is used indoor, it can be installed in any direction.



- install the tower light in an upright position.

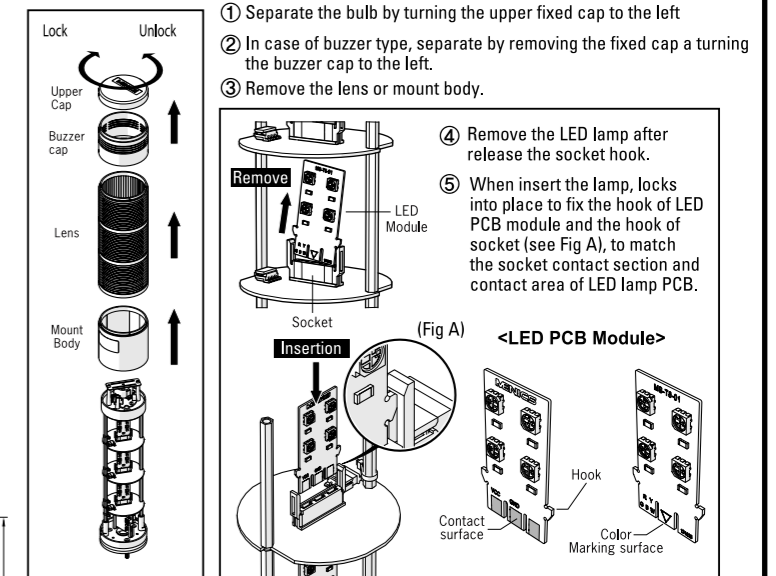
6. Panel Cut-Out (Unit: mm)



7. LED Lamp replacement & Assembly method

Caution - Avoid dissembling and replacing LED Lamp while a power is being supplied. (Electrocution may occur)
- Avoid replacing LED Lamp right after the power supply is interrupted. (LED Lamp heat may result in personal injuries)
- Always replace using LED Lamp supplied by and on our specification.

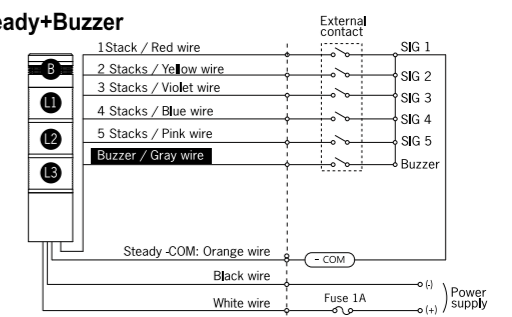
Comply with and read the following procedures when replacing the LED Lamp.



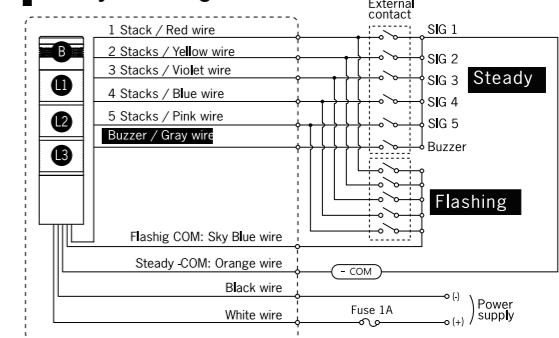
8. Wiring Example

Warning Always disconnect all power supply before performing the wiring work. (Electrocution may occur and inner circuits may be damaged.)

Steady+Buzzer



Steady+Flashing+Buzzer



Do not connect the power line and flashing or steady lines. (Orange wire, Sky blue wire) It may cause damage to the product.