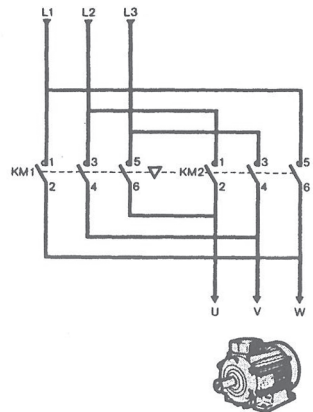
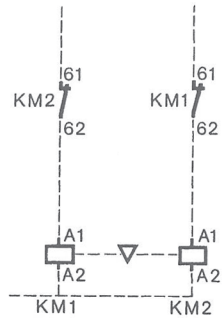
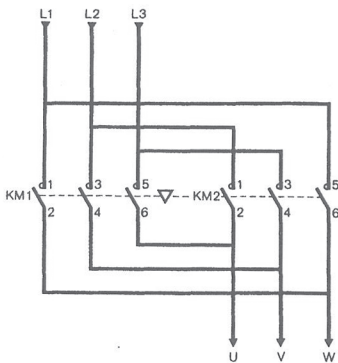
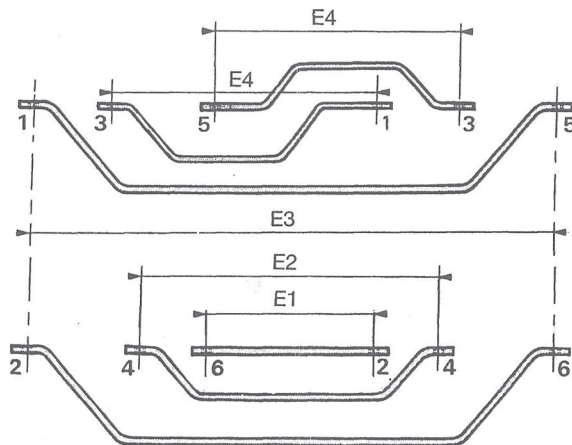


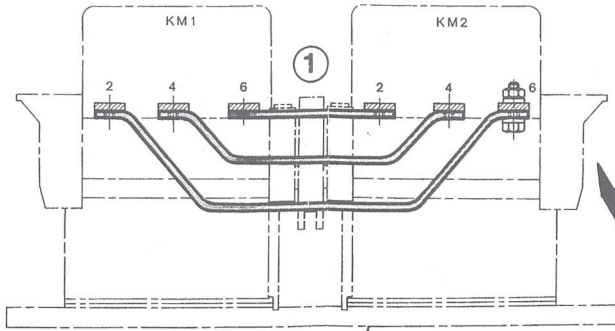
<p><b>KM1 = KM2</b></p> <p>LC1-F115</p> <p>LC1-F150</p> <p>LC1-F185</p> <p>LC1-F225</p> <p>LC1-F265</p> <p>LC1-F330/400</p> <p>LC1-F500</p> <p>LC1-F630</p>
-------------------------------------------------------------------------------------------------------------------------------------------------------------





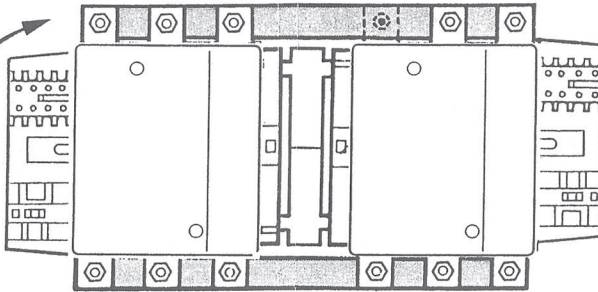
KM1 = KM2		E1	E2	E3	E4
LC1-F115	LA9-FF976	77	151	225	114
LC1-F150	LA9-F15076	71	151	231	111
LC1-F185	LA9-FG976	78	158	238	118
LC1-F225	LA9-F22576	62	158	254	110
LC1-F265	LA9-FH976	100	196	292	148
LC1-F330/400	LA9-FJ976	107	203	299	155
LC1-F500	LA9-FK976	112	222	332	167
LC1-F630	LA9-FL976	137	297	457	217





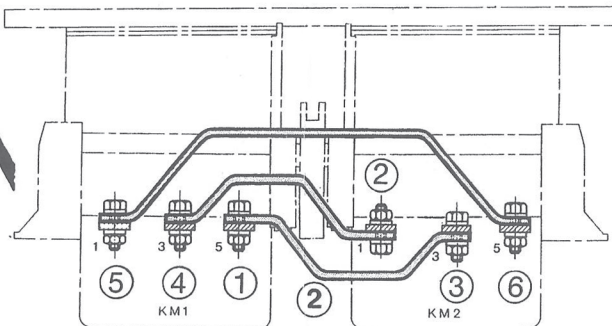
AMU-32.../AM1-EC...

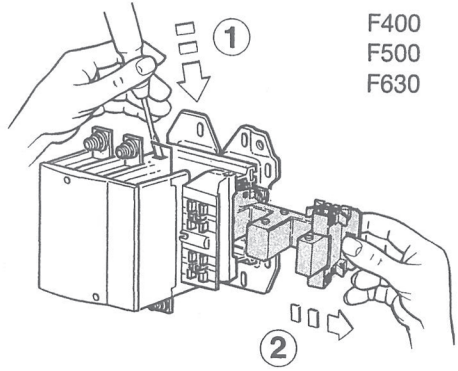
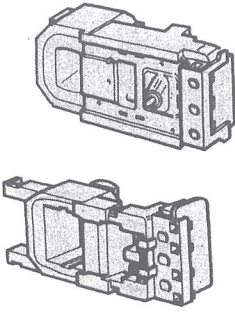
②



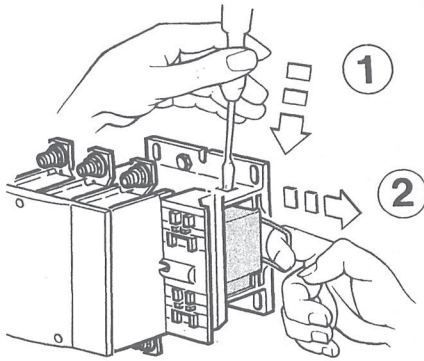
①

① ② ... ordre de montage  
MOUNTING ORDER





F400  
F500  
F630



F115  
F150  
F185  
F225  
F265  
F330

