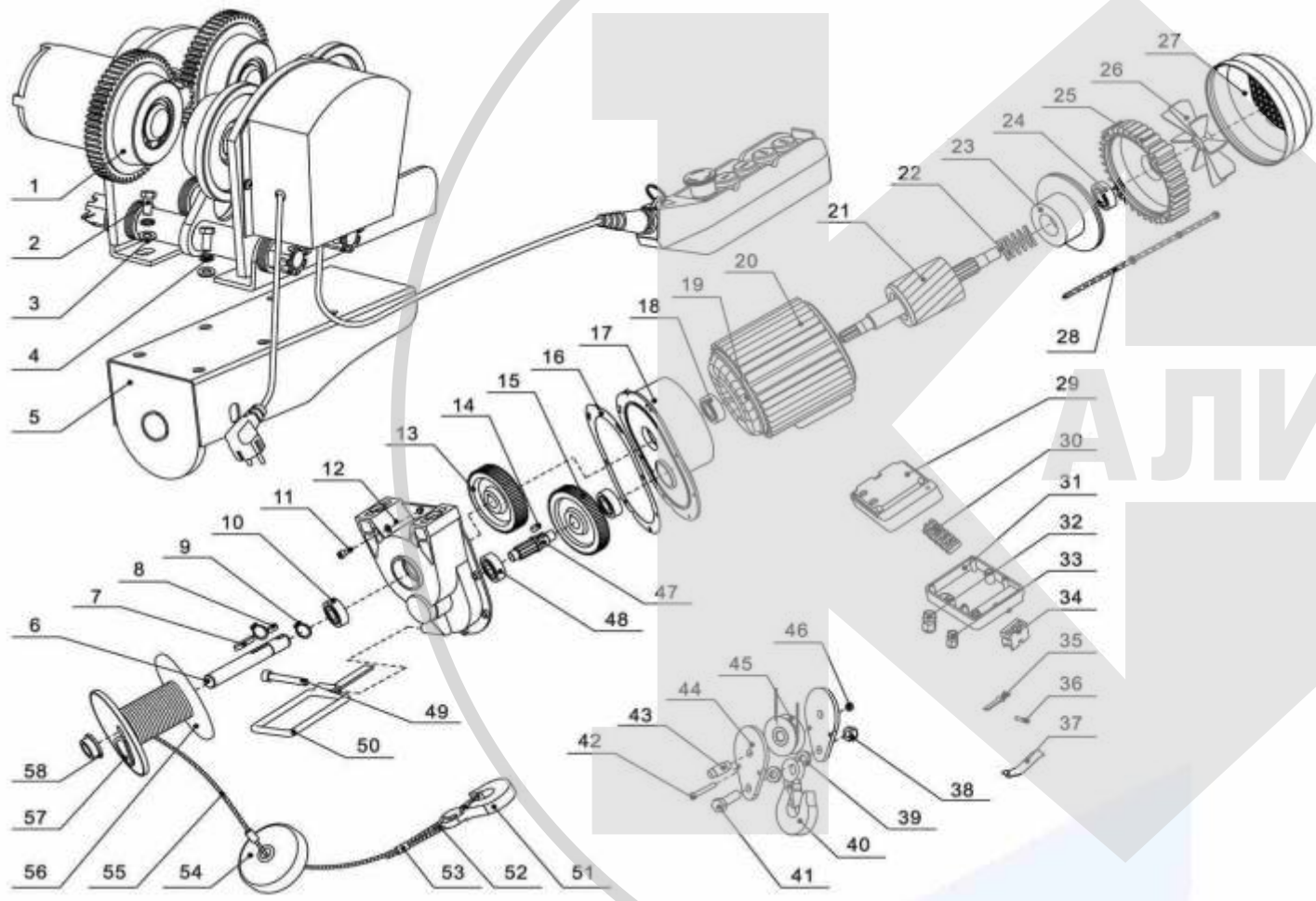
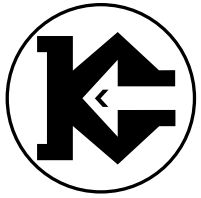


- 1000

()

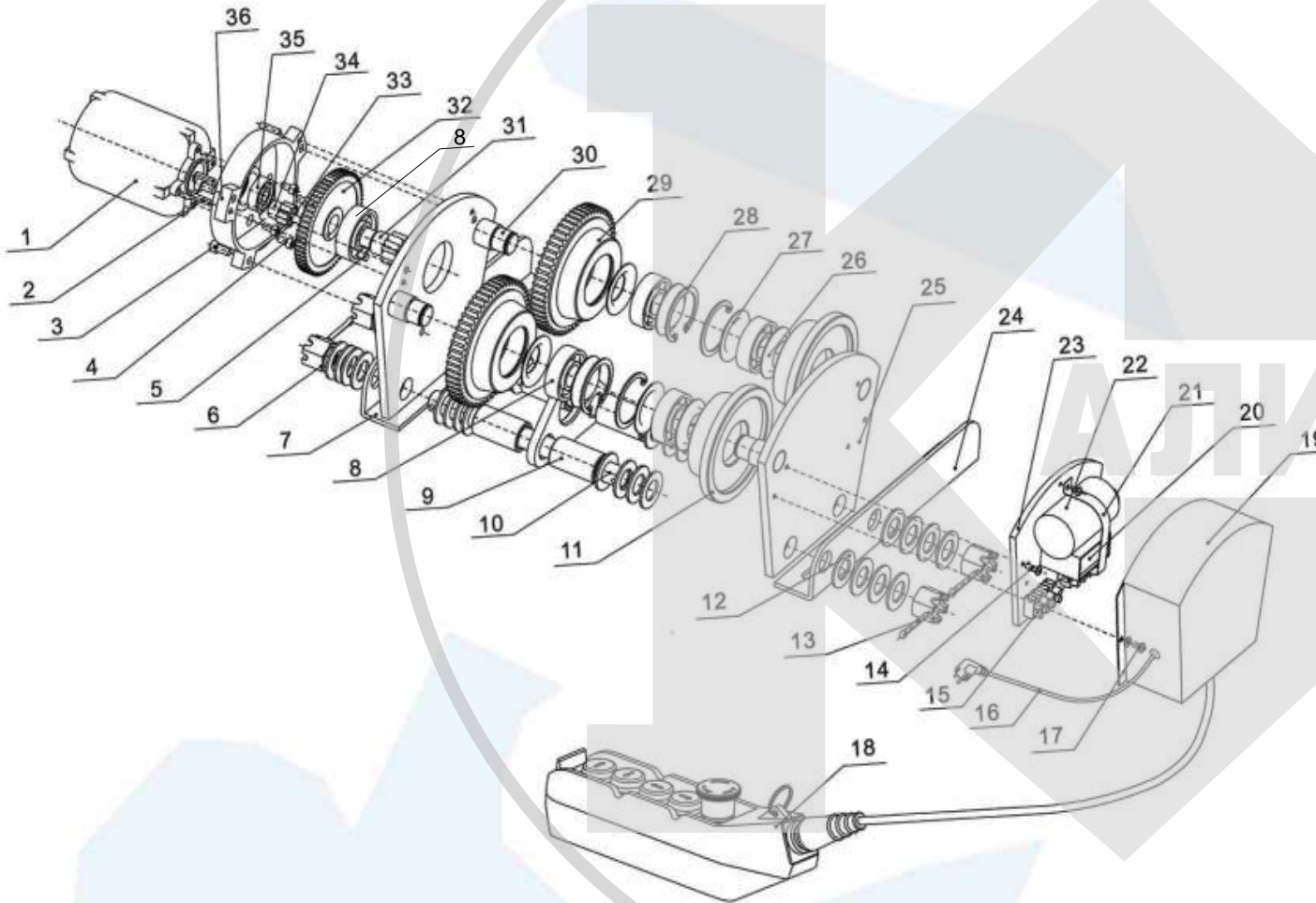


1		1000 .01
2	12x35	1000 .02
3	12	1000 .03
4	12	1000 .04
5		1000 .05
6		1000 .06
7	8x7x30	03605
8	6x6x16	03470
9	25 (.)	1000 .09
10	6205RS	00151
11	6x18	1000 .11
12		03467
13	Z=54	03611
14	6x6x16	03470
15	Z=83	03612
16		03465
17		03464
18	6204RS	00028
19		1000 .19
20		1000 .20
19+20		01479
21		03472
22		03466
23		03471
24	6203RS	00003
25		03469
26		03461
27		03462
28	6x200	1000 .28
29		03825
30		02749
31		03463
32		1000 .32
33		1000 .33
34	DA7-10/1 (XV-15-1C25)	01345
35		1000 .35
36		
37		1000 .37
38	12	1000 .38
39	12	1000 .39
40		1000 .40
41	12x35	1000 .41
42	5x30	1000 .42
43		02748
44		1000 .44
45		1000 .45
46	5	1000 .46
47	Z=7	03616
48	6202RS	00023
49	8x40	1000 .49
50		03468
51		1000 .51
52		1000 .52
53		1000 .53
54		1000 .54
55		1000 .55
56		1000 .56
57		1000 .57
58		1000 .58



- 1000

()



1		1000 .01-01
2		1000 .01-02
3	(.)	1000 .01-03
4	(.)	1000 .01-04
5	5×5×10	03613
6	18	1000 .01-06
7		1000 .01-07
8	6204	00028
9		1000 .01-09
10	18	1000 .01-10
11		1000 .01-11
12	18	1000 .01-12
13		1000 .01-13
14		1000 .01-14
15		1000 .01-15
16	3G×1.0 ²	1000 .01-16
17		1000 .01-17
18		02737
19		02738
20	CBB60 40 ×450	03602
21		1000 .01-21
22	CBB60 30 ×450	03473
23		1000 .01-23
24		1000 .01-24
25		1000 .01-25
26	2	1000 .01-26
27	1	1000 .01-27
28	48 (.)	02739
29	Z=57	02740
30		1000 .01-30
31	- Z=12	02741
32	Z=62	02784
33		1000 .01-33
34	Z=11	02785
35	6200	00024
36		02742