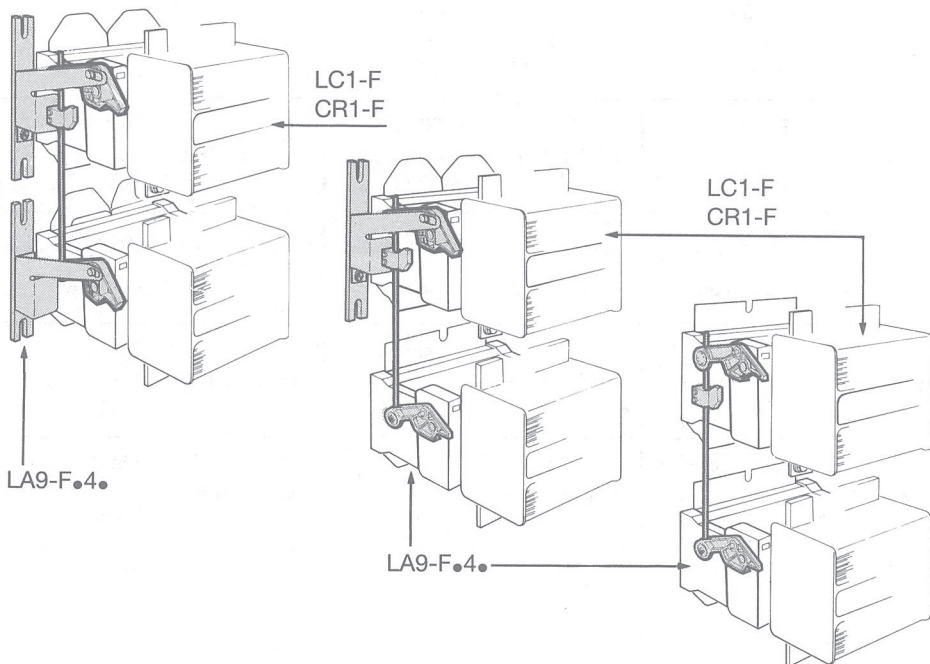
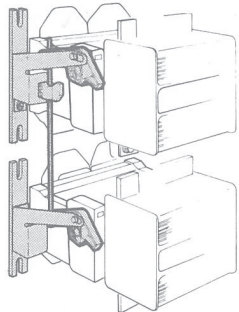




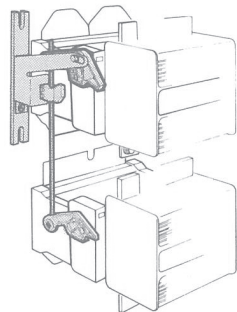
LISTED 170M
IND. CONT. EQ.



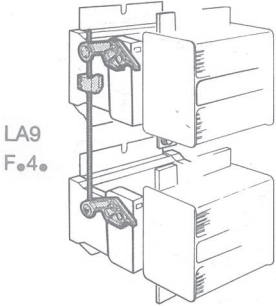
LA9
F.4.

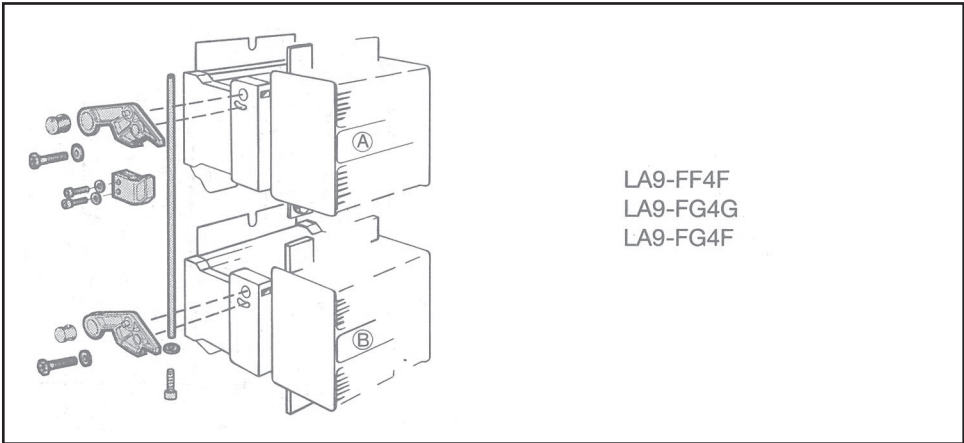


LA9
F.4.

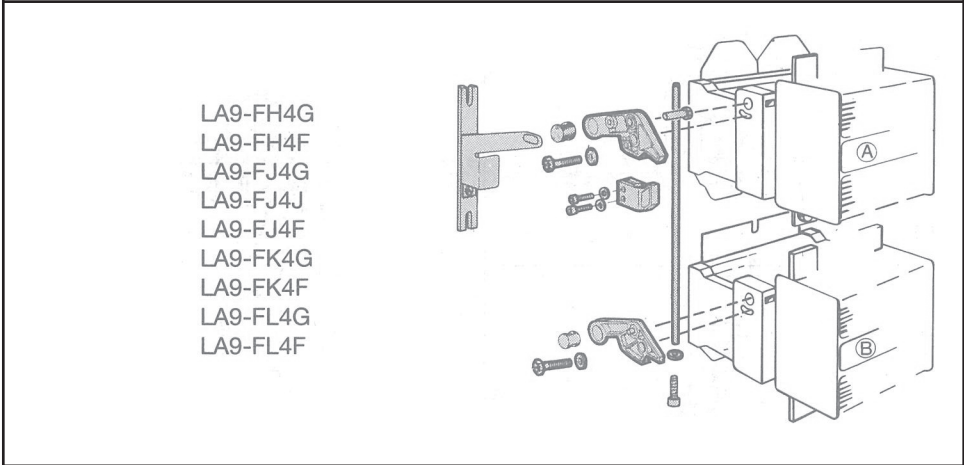


LA9-FL4L	F630 / FL + F630 / FL	LA9-FK4H	F500 / FK + F265 / FH	LA9-FL4G	F630 + F225
LA9-FL4K	F630 / FL + F500 / FK	LA9-FJ4J	F400 / FJ + F400 / FJ	LA9-FL4G	F630 / FL + F185 / FG
LA9-FL4J	F630 / FL + F400 / FJ	LA9-FJ4H	F400 + F330	LA9-FL4F	F630 / FL + F150 / FF
LA9-FL4H	F630 + F330	LA9-FJ4H	F400 / FJ + F265 / FH	LA9-FL4F	F630 / FL + F115 / FF
LA9-FL4H	F630 / FL + F265 / FH	LA9-FH4H	F330 + F330	LA9-FK4G	F500 + F225
LA9-FK4K	F500 / FK + F500 / FK	LA9-FH4H	F330 + F265	LA9-FK4G	F500 / FK + F185 / FG
LA9-FK4J	F500 / FK + F400 / FJ	LA9-FH4H	F265 / FH + F265 / FH	LA9-FK4F	F500 / FK + F150 / FF
LA9-FK4H	F500 + F330			LA9-FK4F	F500 / FK + F115 / FF
				LA9-FJ4G	F400 + F225

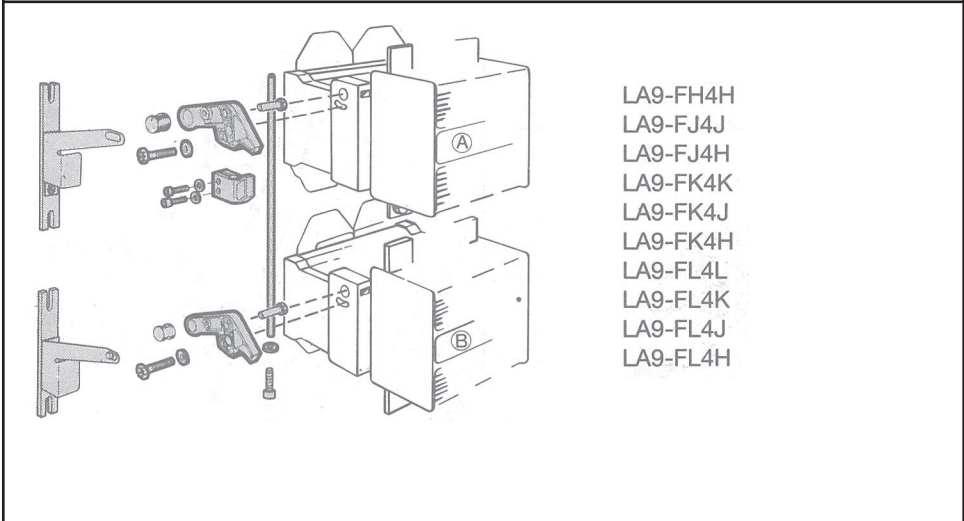
LA9-FJ4G	F400 / FJ + F185 / FG	 <p>LA9 F.4.0</p>			
LA9-FJ4F	F400 / FJ + F150 / FF				
LA9-FJ4F	F400 / FJ + F115 / FF				
LA9-FH4G	F330 + F225				
LA9-FH4G	F330 + F185				
LA9-FH4F	F330 + F150	LA9-FG4G	F225 + F225	LA9-FG4F	F185 / FG + F150 / FF
LA9-FH4F	F330 + F115	LA9-FG4G	F225 + F185	LA9-FG4F	F185 / FG + F115 / FF
LA9-FH4G	F265 + F225	LA9-FG4F	F225 + F150	LA9-FF4F	F150 / FF + F150 / FF
LA9-FH4G	F265 / FH + F185 / FG	LA9-FG4F	F225 + F115	LA9-FF4F	F150 / FF + F115 / FF
LA9-FH4F	F265 / FH + F150 / FF	LA9-FG4G	F185 / FG + F185 / FG	LA9-FF4F	F115 / FF + F115 / FF
LA9-FH4F	F265 / FH + F115 / FF				



LA9-FF4F
 LA9-FG4G
 LA9-FG4F

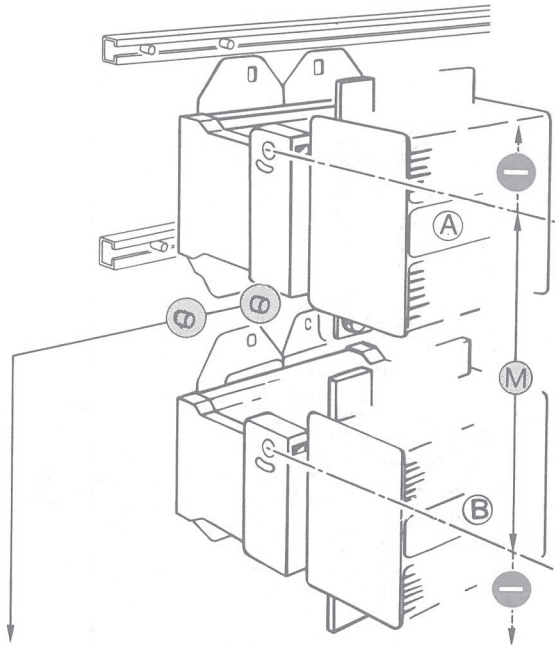


LA9-FH4G
 LA9-FH4F
 LA9-FJ4G
 LA9-FJ4J
 LA9-FJ4F
 LA9-FK4G
 LA9-FK4F
 LA9-FL4G
 LA9-FL4F

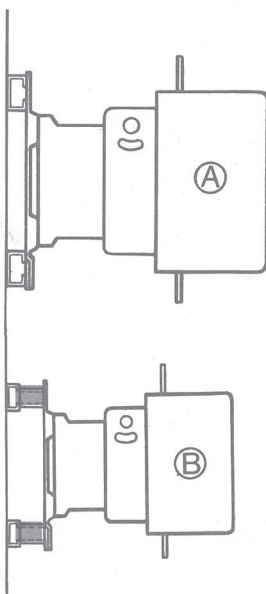


LA9-FH4H
 LA9-FJ4J
 LA9-FJ4H
 LA9-FK4K
 LA9-FK4J
 LA9-FK4H
 LA9-FL4L
 LA9-FL4K
 LA9-FL4J
 LA9-FL4H

	(A)	(M)
LC1 CR1	F115/FF F150/FF F185/FG F225	310 mm
	F265/FH F330 F400/FJ F500/FK F630/FL	380 mm

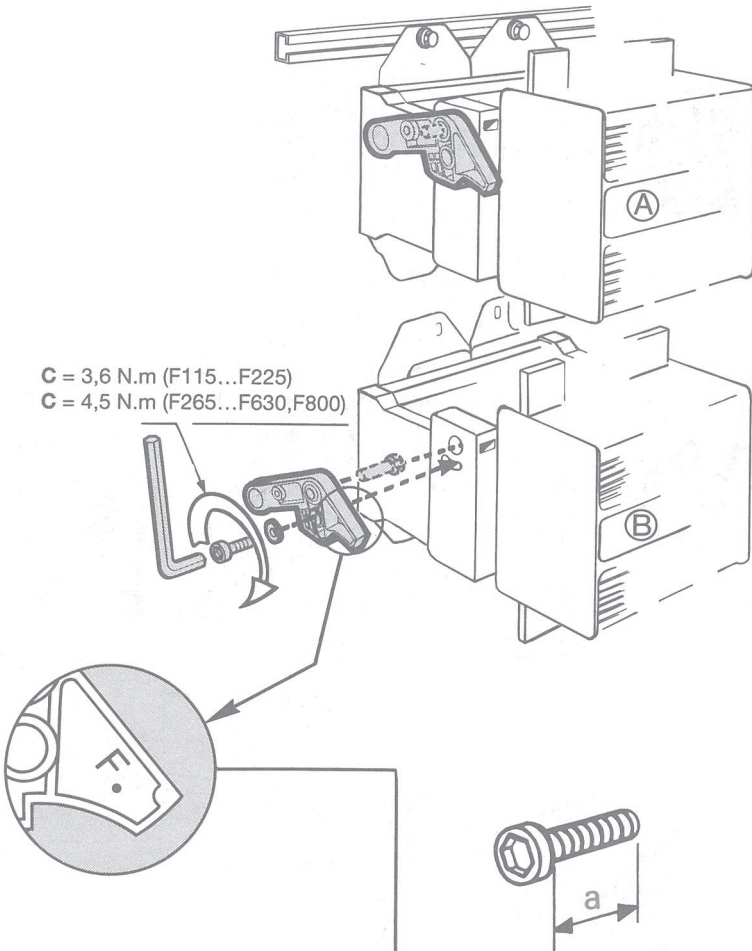


LC1/CR1

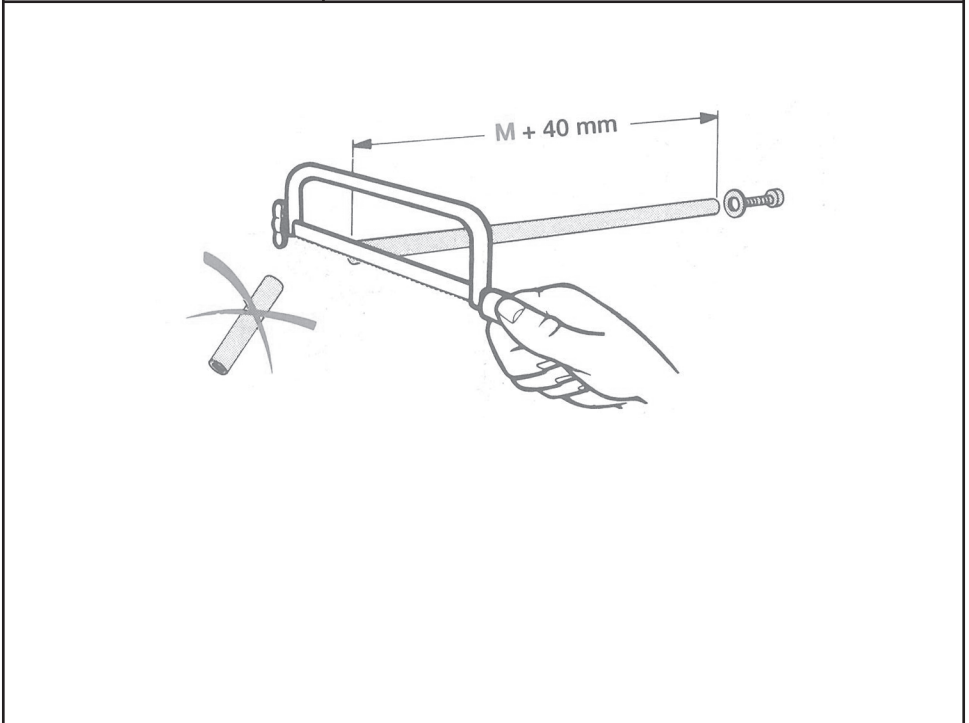
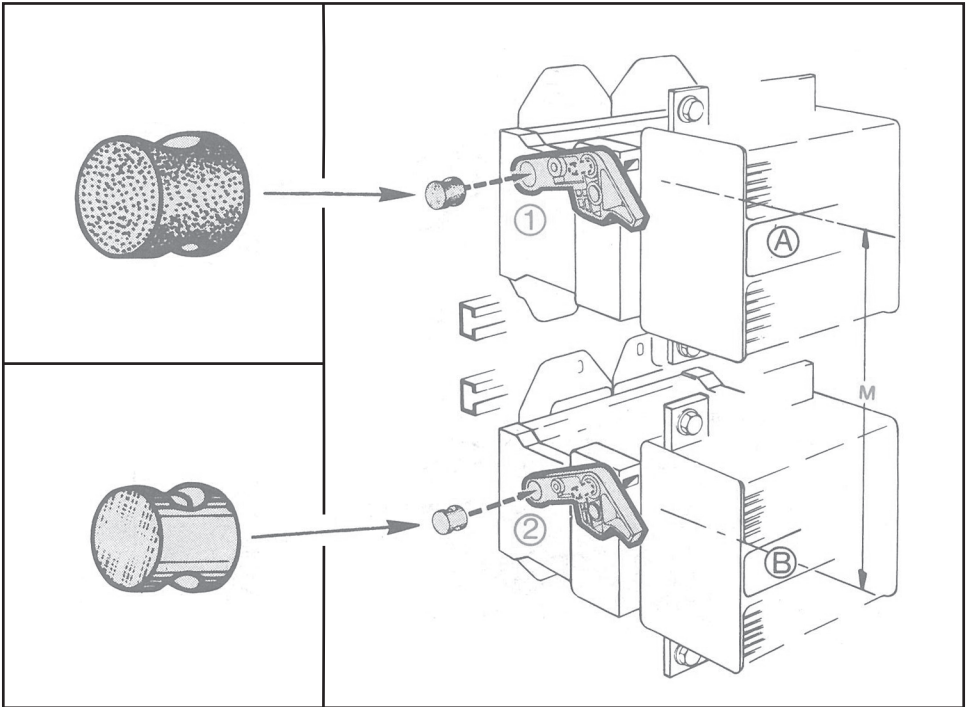


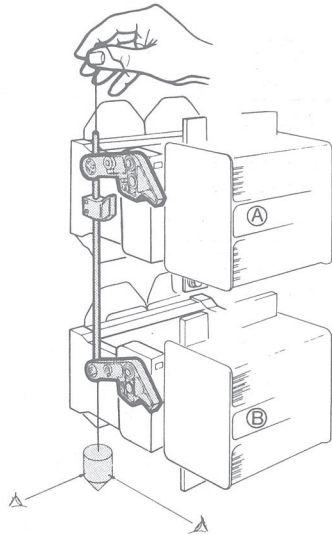
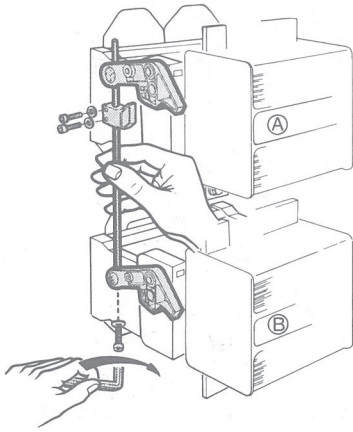
(B) \ (A)	F630 FL	F500 FK	F400 FJ	F330	F265 FH	F225	F185 FG	F150 FF	F115 FF
F115 FF									
F150 FF									
F185 FG									
F225									
F265 FH									
F330									
F400 FJ									
F500 FK									
F630 FL									

C = 3,6 N.m (F115...F225)
 C = 4,5 N.m (F265...F630,F800)

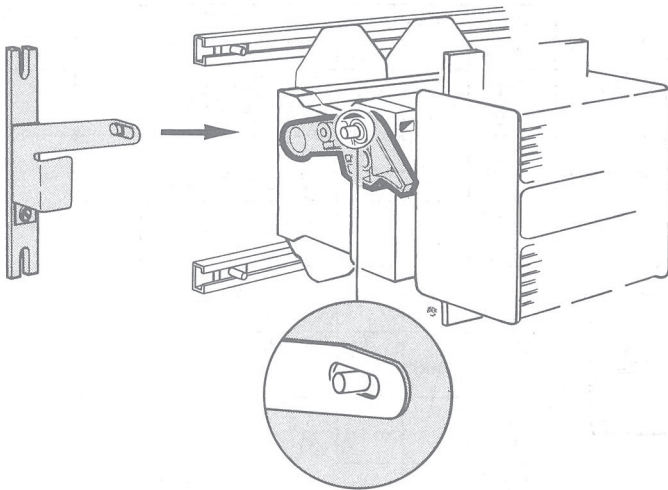


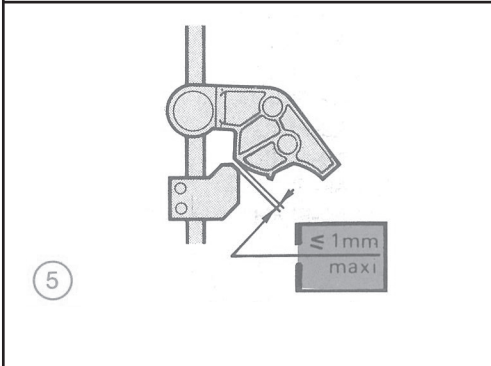
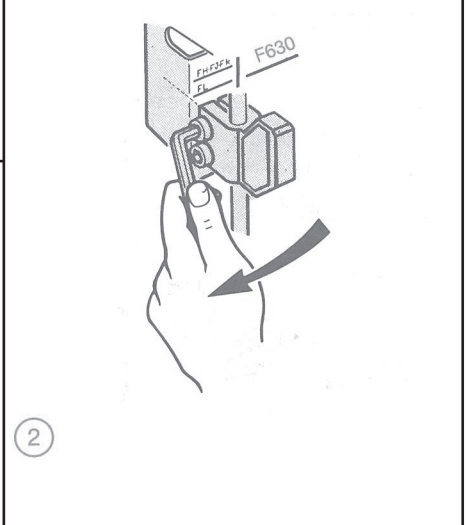
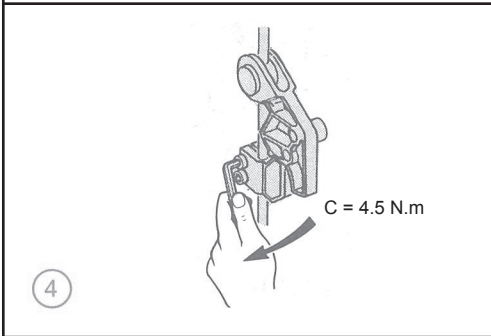
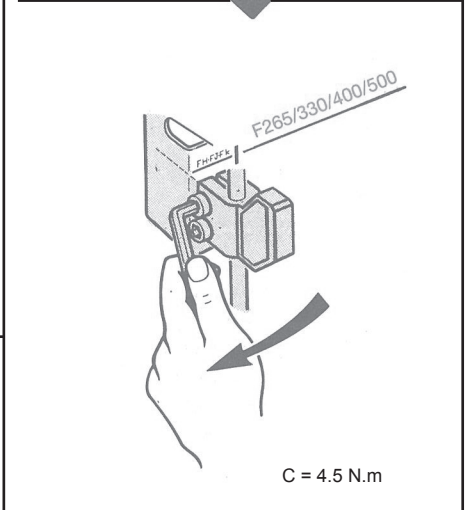
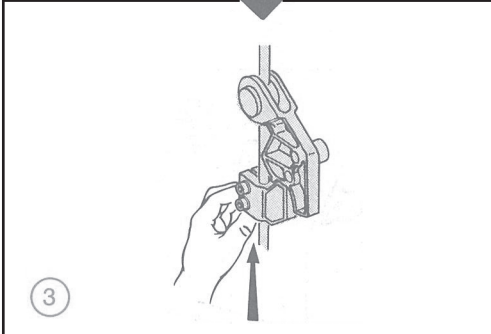
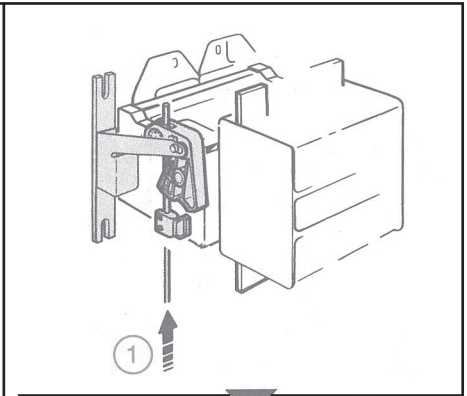
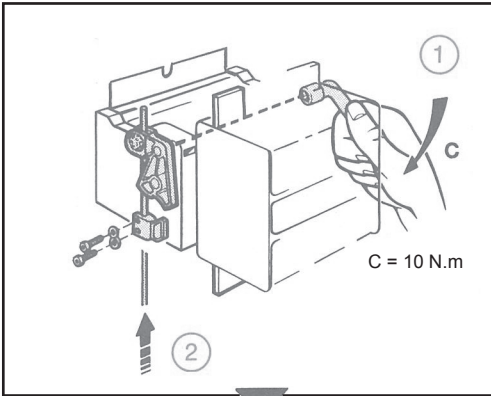
LC1/CR1	F•	a (mm)
F115/FF	FF	20
F150/FF	FF	
F185/FG	FG	
F225	FG	
F265/FH	FH	25 ± 0,1
F330	FH	
F400/FJ	FJ	
F500/FK	FK	
F630/FL	FL	

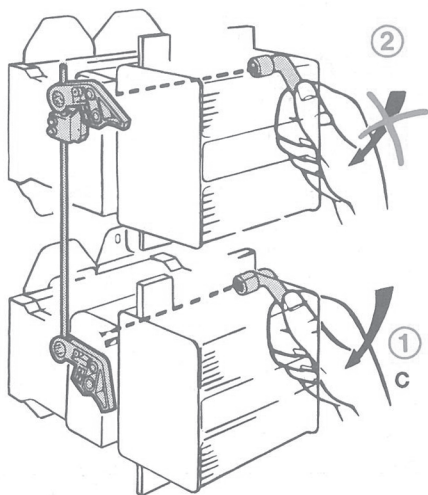




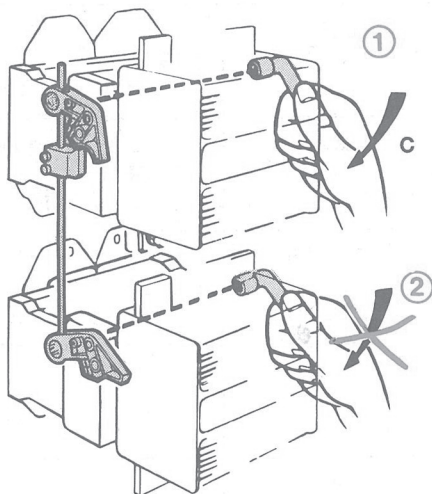
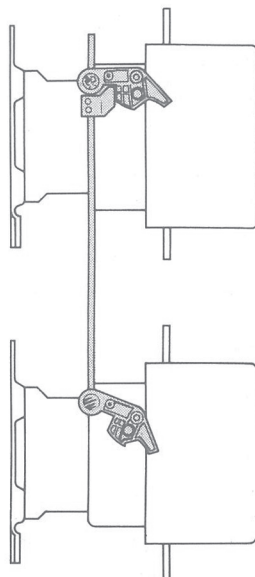
LC1/CR1 { F265 F330 F400 F500 F630
 FH FJ FK FL







C = 10 N.m (F115...F225)



C = 10 N.m (F115...F225)

